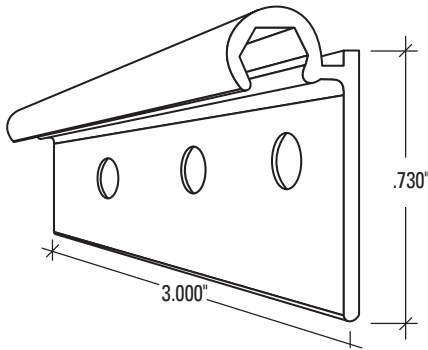
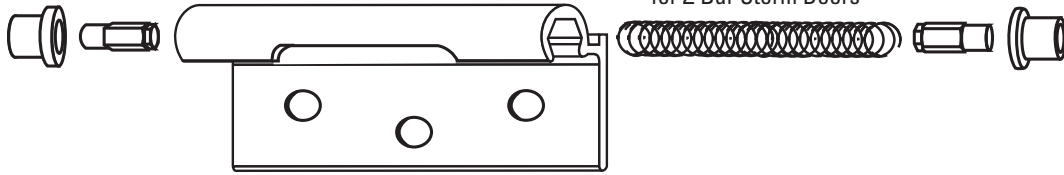


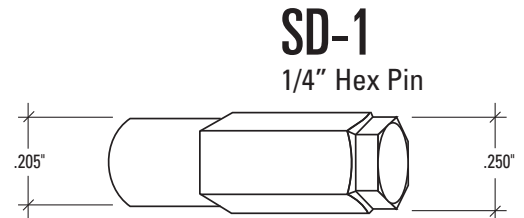
NOTE: • To ensure proper fit send sample of Z bar and door rail
 • Indicate if loading notch required and number of holes
 • Detailed Profile drawings available upon request

Hinge Set

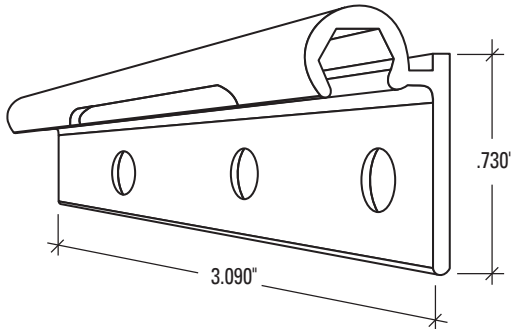
Extruded Hex Drive
 Leaf Hinge sets
 for Z Bar Storm Doors



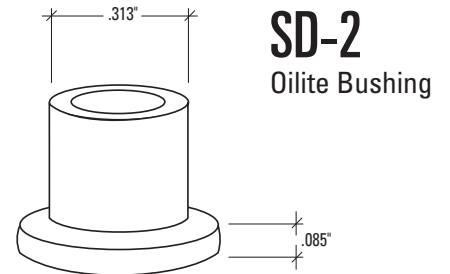
S-156
 Unnotched
 Colours: Mill, White



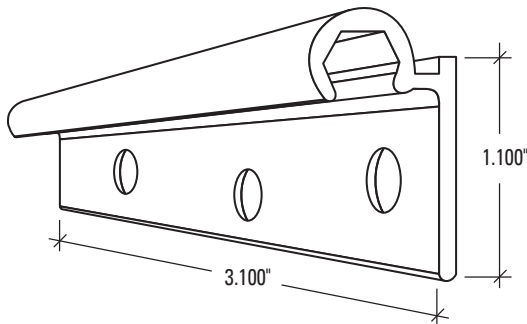
SD-1
 1/4" Hex Pin



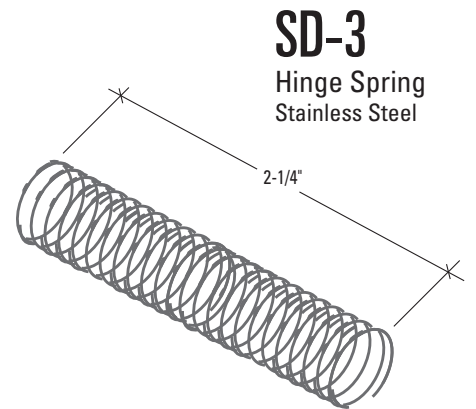
S-160
 Notched
 Colours: Mill, White



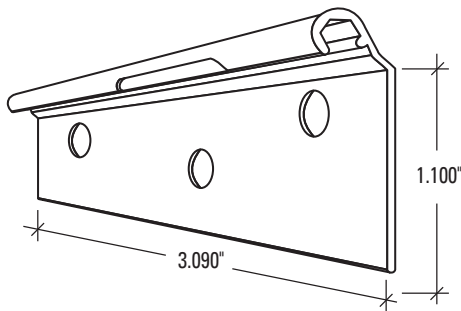
SD-2
 Oilite Bushing



S-162
 Unnotched
 Colours: Mill, White



SD-3
 Hinge Spring
 Stainless Steel



S-317
 Notched
 Colours: Mill, White

* Hinge profiles available in 15' lineals for custom colour painting