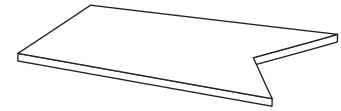
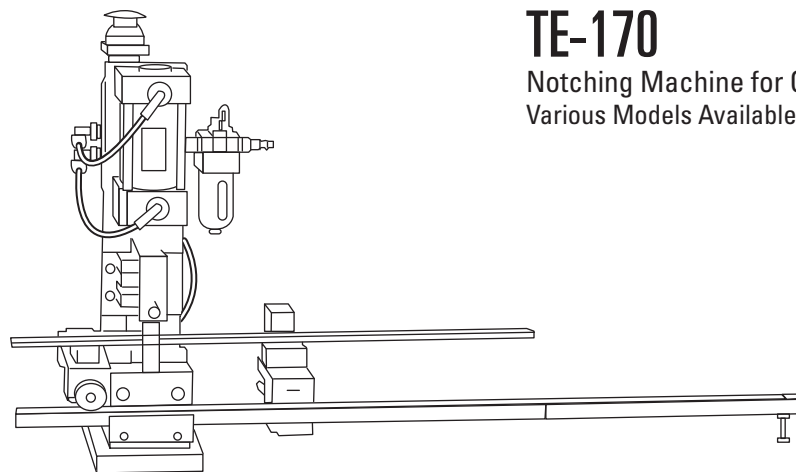


TE-100

Notching Machine for Lance Latches
Manual, complete with bar stop



Replacement
Notching Blades
TE-110

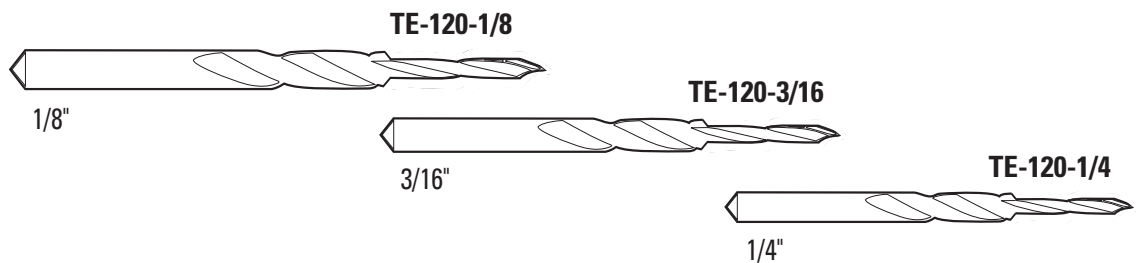


TE-170

Notching Machine for Grille Bar
Various Models Available

TE-120

Step Drill Bits



TE-120-1/8

1/8"

TE-120-3/16

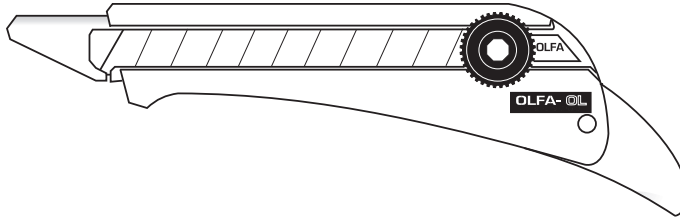
3/16"

TE-120-1/4

1/4"

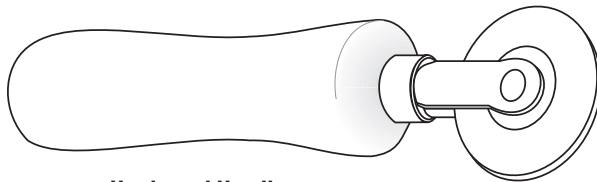
TE-140

Utility Screen Knife



TE-150

Replacement blades (50 per pack)



- Hardwood Handle
- Ball Bearing Wheels

Screening Tools



Step Roller
TE-135-ST



Concave Roller
TE-130-CV Steel
TE-135-CV Nylon



Convex Roller
TE-130-CX Steel
TE-135-CX Nylon

TE-160

Warning Labels - 4 1/2" x 1/2"
Rolls of 1000 pcs (Bilingual)

WARNING

Screen will not stop child from falling out window. Keep child away from open window.

Le moustiquaire ne protégera pas un enfant d'une chute. Ne jamais laisser un enfant sans surveillance près d'une fenêtre ouverte.



TE-161

Press Labels for S-135 Screens - 3/4" x 7/16"
Rolls of 1000 pcs