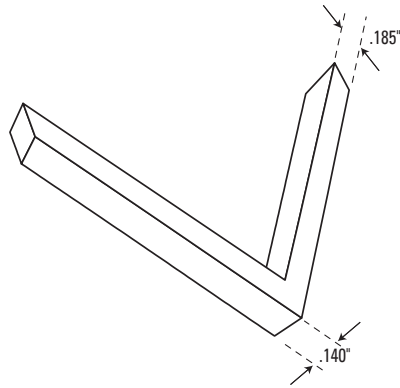


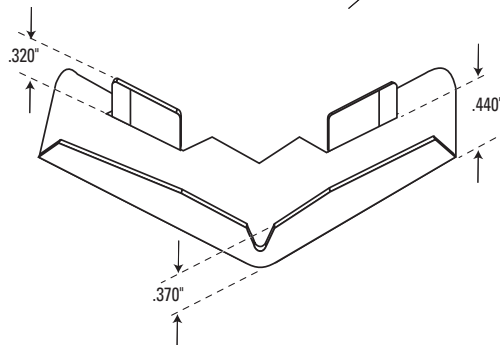
### S-348

Internal Mitre Corner - Solid Aluminum for  
**S-132** Extruded Screen Frame



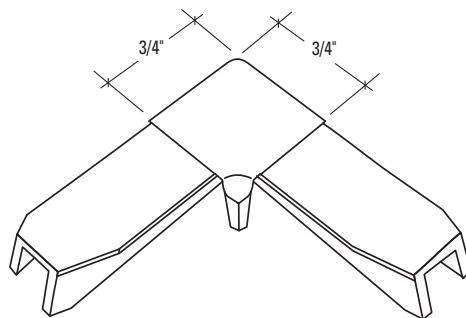
### S-349

Internal Mitre Corner - Solid Aluminum for  
**S-100** Extruded Screen Frame



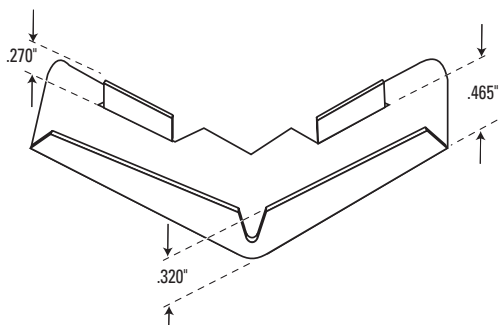
### S-350

Internal Mitre Corner - Stamped Aluminum for  
**S-126** Rollformed Screen Frame



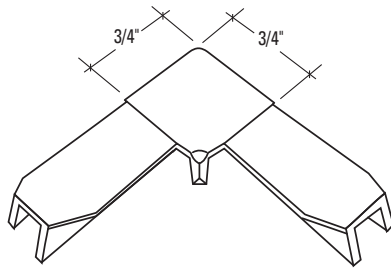
### S-350P

Straight Cut Poly Corner  
for **S-126** Rollformed Screen Frame



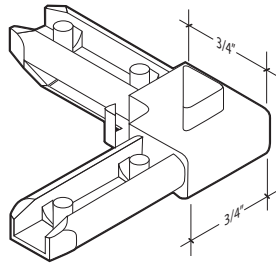
### S-351

Internal Mitre Corner - Stamped Aluminum  
for **S-125, S-128, S-129,**  
**S-129S** and **S-130**  
Rollformed Screen Frames



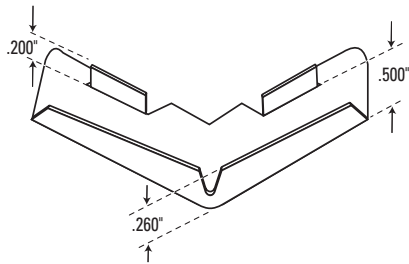
### S-351P

Straight Cut Poly Corner  
for **S-125** Rollformed Screen Frame



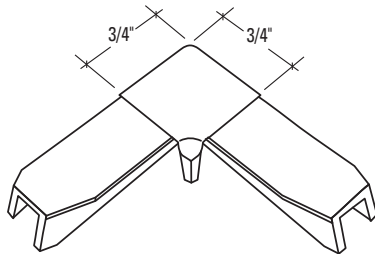
### S-351P-STOP

Straight Cut Poly Corner - With Stop  
for **S-125** Rollformed Screen Frame



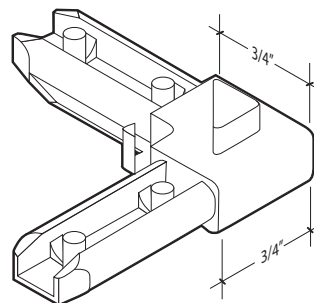
### S-352

Internal Mitre Corner - Stamped Aluminum  
for **S-124** Rollformed Screen Frame



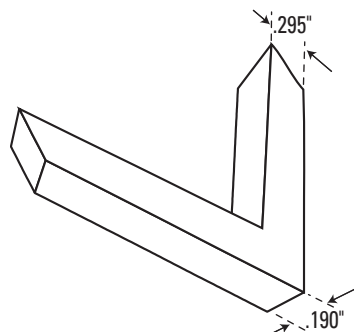
### S-352P

Straight Cut Poly Corner  
for **S-124** Rollformed Screen Frame



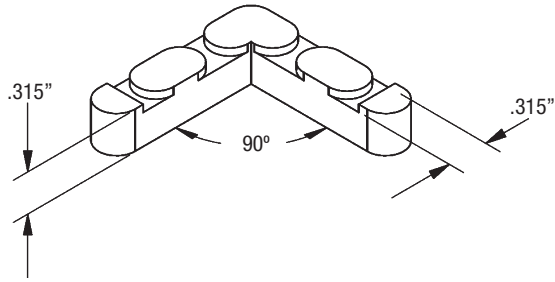
### S-352P-STOP

Straight Cut Poly Corner - With Stop  
for **S-124** Rollformed Screen Frame



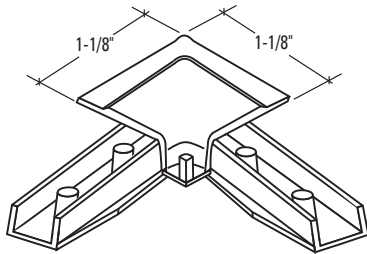
### S-353

Internal Mitre Corner - Solid Aluminum  
for **S-102** and **S-113**



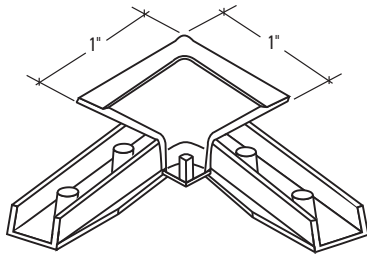
### S-355

Internal Mitre Corner - Solid Aluminum  
for **S-119** Extruded Screen Frame



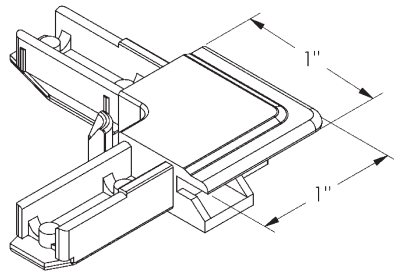
### S-356P

Straight Cut Poly Corner  
for **S-129** Rollformed Screen Frame



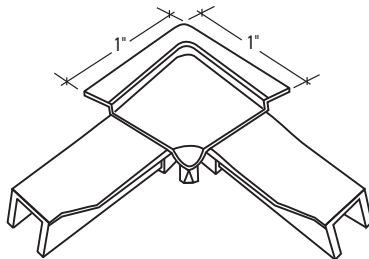
### S-356PS

Straight Cut Poly Corner  
for **S-129S** Rollformed Screen Frame



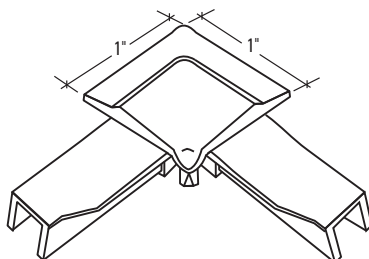
### S-356PS L/R

Straight Cut Poly Corner  
for **S-129S** Rollformed Screen Frame  
with tabs (Left and Right)



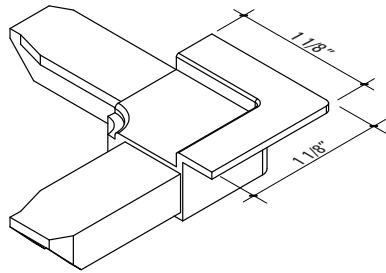
### S-357P

Straight Cut Poly Corner  
for **S-130** Rollformed Screen Frame



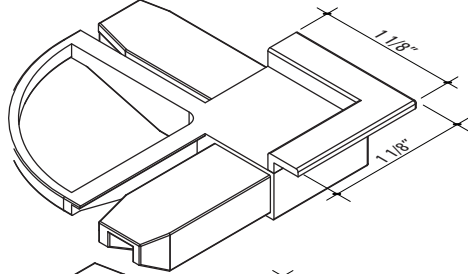
### S-358P

Straight Cut Poly Corner  
for **S-128** Rollformed Screen Frame



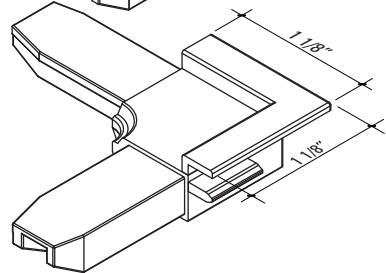
**S-359P**

Straight Cut Poly Corner  
For **S-130** Rollformed Screen Frame  
(1 3/4" Breakdown)



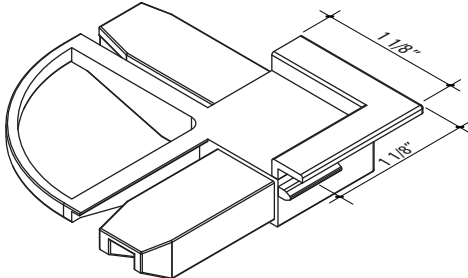
**S-359P-H**

Straight Cut Poly Corner  
For **S-130** Rollformed Screen Frame  
With handle (1 3/4" Breakdown)



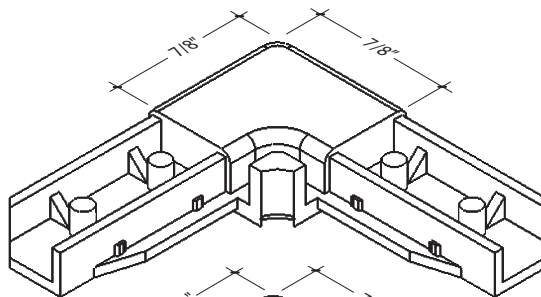
**S-359P-RL/RR**

Straight Cut Poly Corner  
For **S-130** Rollformed Screen Frame  
With large retainer tab - left/right (1 3/4" Breakdown)



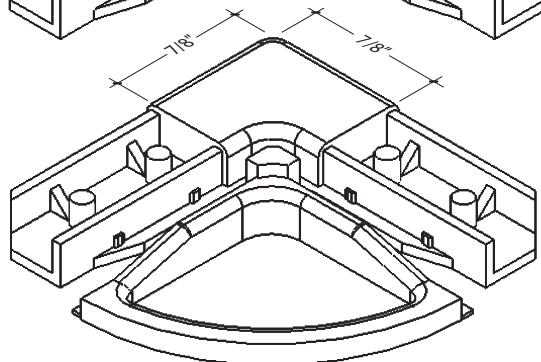
**S-359P-RHL/RHR**

Straight Cut Poly Corner  
For **S-130** Rollformed Screen Frame  
With small retainer tab and handle - left/right  
(1 3/4" Breakdown)



**S-360P**

Straight Cut Poly Corner  
For **S-124** Rollformed Screen Frame  
(1 3/4" Breakdown)



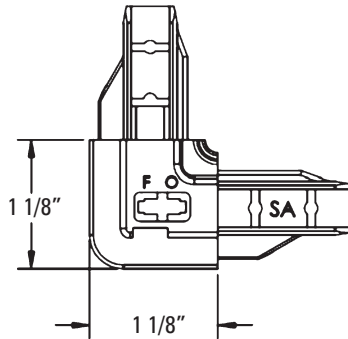
**S-360P-H**

Straight Cut Poly Corner  
For **S-124** Rollformed Screen Frame  
With handle (1 3/4" Breakdown)

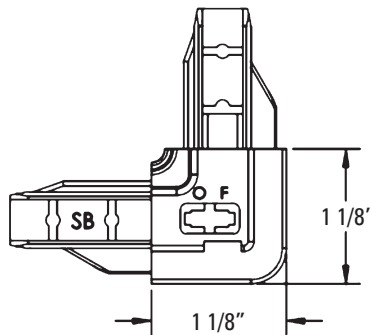
### Corner System for S-135 Rollformed Screen Frame

#### Bulk Components

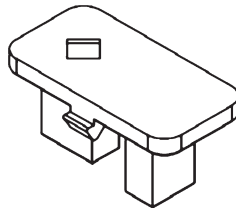
**S-388**  
Poly Corner "A"  
Base Only  
(1 3/4" Breakdown)



**S-389**  
Poly Corner "B"  
Base Only  
(1 3/4" Breakdown)



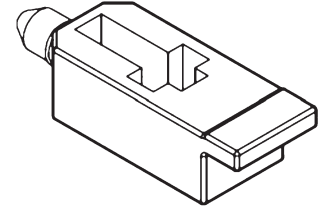
**S-390**  
Cover for Poly Corner



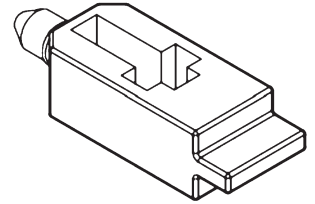
**S-391**  
Spring for Operating  
Poly Corner



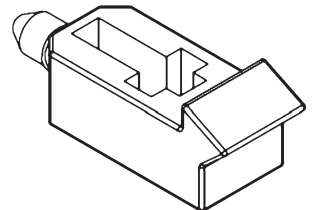
**S-392**  
Slide Pin .170" Slot



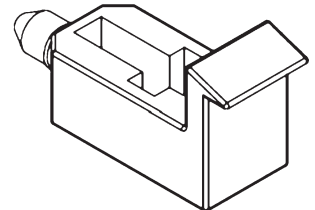
**S-393**  
Slide Pin .085" Slot



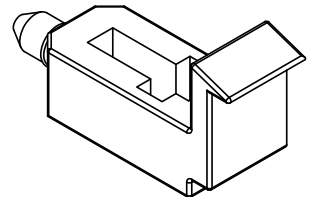
**S-394**  
Slide Pin .185" Chisel



**S-395**  
Slide Pin .430" Hook



**S-396**  
Slide Pin .465" Hook



#### Assembled Corners

	.170" Slot	.085" Slot	.185" Chisel	.430" Hook	.465" Hook
"A" Corner - Fixed	<b>S-372P</b>	<b>S-376P</b>	<b>S-380P</b>	<b>S-384P</b>	<b>S-397</b>
"A" Corner - Operating	<b>S-373P</b>	<b>S-377P</b>	<b>S-381P</b>	<b>S-385P</b>	<b>S-398</b>
"B" Corner - Fixed	<b>S-374P</b>	<b>S-378P</b>	<b>S-382P</b>	<b>S-386P</b>	<b>S-399</b>
"B" Corner - Operating	<b>S-375P</b>	<b>S-379P</b>	<b>S-383P</b>	<b>S-387P</b>	<b>S-400</b>