

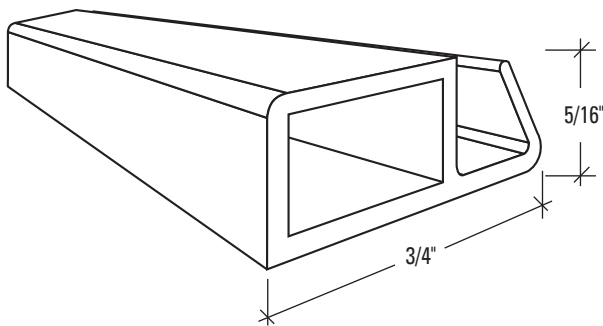
S-100 1/4" x 3/4"

Extruded Screen Frame

STOCK LENGTH	SUITABLE CORNER
12 ft	S-349 Mitre

Quick Reference Spline Chart

SPLINE TYPE	MESH TYPE	
	FIBREGLASS	ALUMINUM
T	.200	.180
Round	.155	.125
Polyfoam	.160	.140



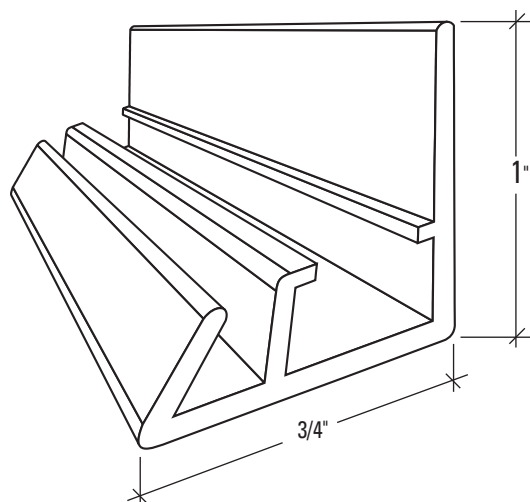
S-102 5/16" x 3/4"

Extruded Screen Frame

STOCK LENGTH	SUITABLE CORNER
12 ft	S-353 Mitre

Quick Reference Spline Chart

SPLINE TYPE	MESH TYPE	
	FIBREGLASS	ALUMINUM
T	.215	.200
Round	.155	.125
Polyfoam	.180	.170



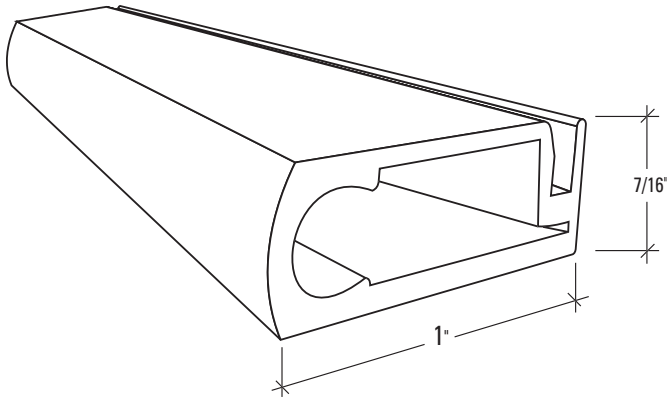
S-113 5/16" x 3/4" x 1"

Extruded Screen Frame with Leg

STOCK LENGTH	SUITABLE CORNER
12 ft	S-353 Mitre

Quick Reference Spline Chart

SPLINE TYPE	MESH TYPE	
	FIBREGLASS	ALUMINUM
T	.215	.200
Round	.155	.125
Polyfoam	.180	.170



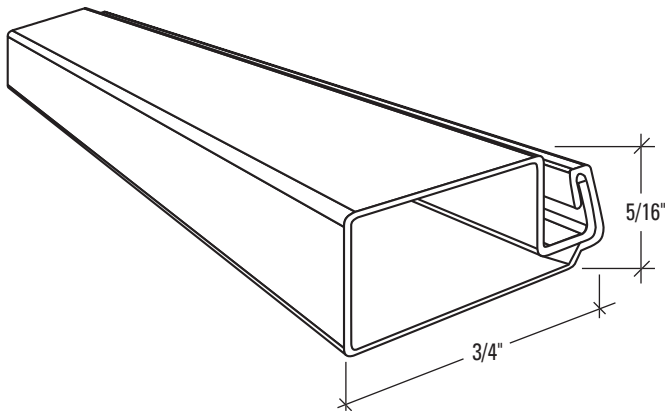
S-119 7/16" x 1"

Extruded Screen Frame

STOCK LENGTH	SUITABLE CORNER
12 ft	S-355 Mitre

Quick Reference Spline Chart

SPLINE TYPE	MESH TYPE	
	FIBREGLASS	ALUMINUM
T	.200	.180
Round	.155	.125
Polyfoam	.180	.140



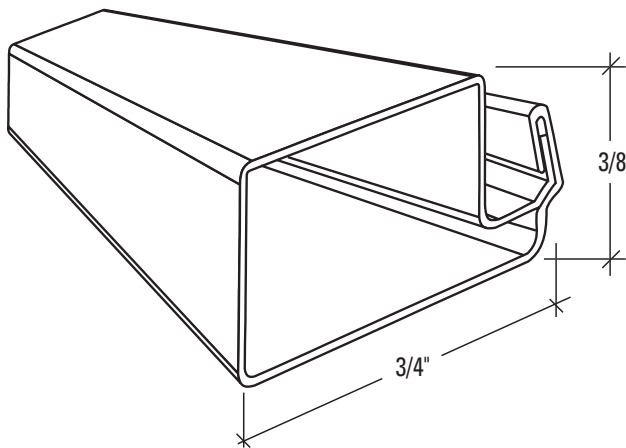
S-124 5/16" x 3/4"

Rollformed Screen Frame

STOCK LENGTH	SUITABLE CORNER
108 pcs x 13'6" / Carton	S-352 Mitre S-352P Straight Cut S-352P-STOP S-360P S-360P-H

Quick Reference Spline Chart

SPLINE TYPE	MESH TYPE	
	FIBREGLASS	ALUMINUM
T	.180	.170
Round	.125	.125
Polyfoam	.160	.160



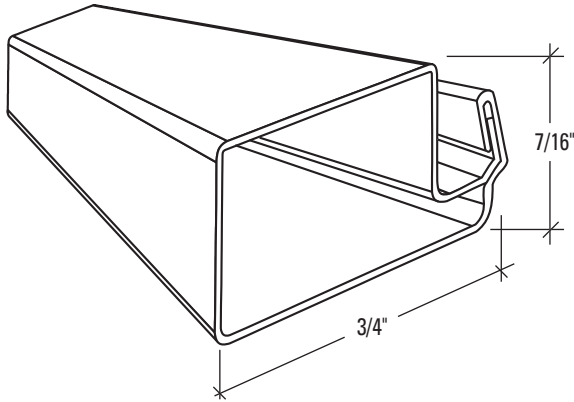
S-125 3/8" x 3/4"

Rollformed Screen Frame

STOCK LENGTH	SUITABLE CORNER
98 pcs x 13'6" / Carton	S-351 Mitre S-351P Straight Cut S-351P-STOP

Quick Reference Spline Chart

SPLINE TYPE	MESH TYPE	
	FIBREGLASS	ALUMINUM
T	.180	.170
Round	.125	.125
Polyfoam	.160	.160



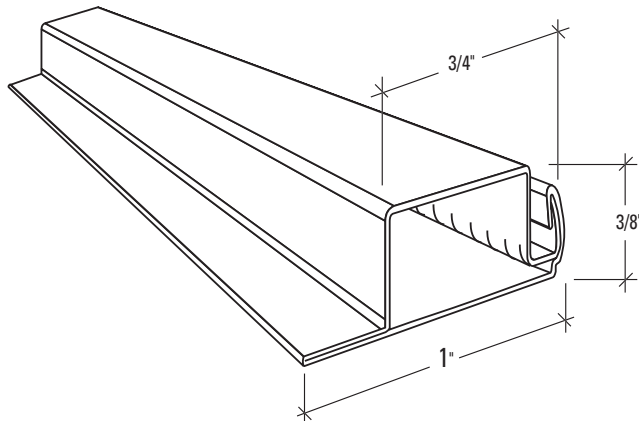
S-126 7/16" x 3/4"

Rollformed Screen Frame

STOCK LENGTH	SUITABLE CORNER
90 pcs x 13'6" / Carton	S-350 Mitre S-350P Straight Cut

Quick Reference Spline Chart

SPLINE TYPE	MESH TYPE	
	FIBREGLASS	ALUMINUM
T	.180	.170
Round	.125	.125
Polyfoam	.160	.140



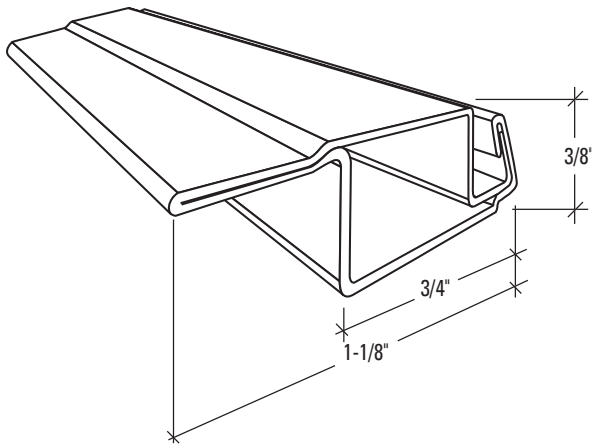
S-128 3/8" x 3/4"

Rollformed Screen Frame with Lip (Interior Application)

STOCK LENGTH	SUITABLE CORNER
90 pcs x 13'6" / Carton	S-351 Mitre S-358P Straight Cut

Quick Reference Spline Chart

SPLINE TYPE	MESH TYPE	
	FIBREGLASS	ALUMINUM
T	.180	.170
Round	.125	.125
Polyfoam	.160	.140



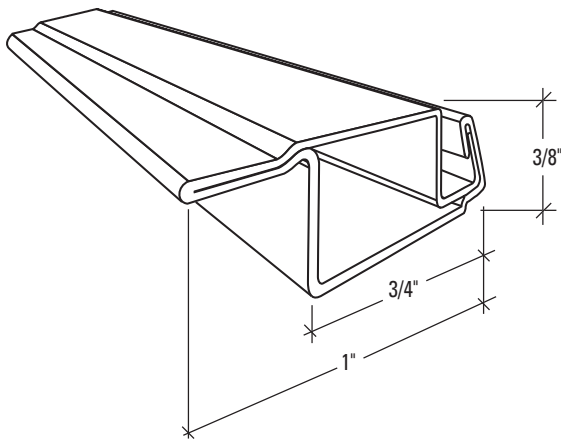
S-129 3/8" x 3/4"

Rollformed Screen Frame with Lip (Exterior Application)

STOCK LENGTH	SUITABLE CORNER
90 pcs x 13'6" / Carton	S-351 Mitre S-356P Straight Cut

Quick Reference Spline Chart

SPLINE TYPE	MESH TYPE	
	FIBREGLASS	ALUMINUM
T	.215	.200
Round	.155	.125
Polyfoam	.200	.180



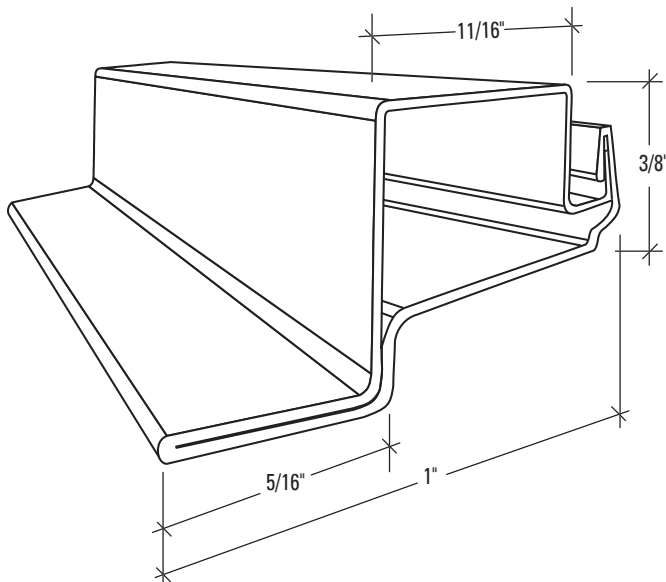
S-129S 3/8" x 3/4"

Rollformed Screen Frame with Lip (Exterior Application)

STOCK LENGTH	SUITABLE CORNER
90 pcs x 13'6" / Carton	S-351 Mitre S-356PS Straight Cut S-356PS-L/R S-356PS-1L/1R

Quick Reference Spline Chart

SPLINE TYPE	MESH TYPE	
	FIBREGLASS	ALUMINUM
T	.180	.170
Round	.125	.125
Polyfoam	.160	.160



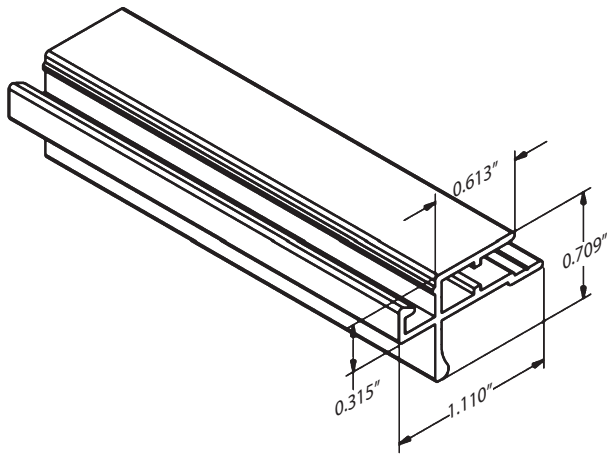
S-130 3/8" x 3/4"

Rollformed Screen Frame with Lip (Interior Application)

STOCK LENGTH	SUITABLE CORNER
80 pcs x 13'6" / Carton	S-351 Mitre S-357P Straight Cut S-359P S-359P-H S-359P-RL/RR S-359P-RHL/RHR

Quick Reference Spline Chart

SPLINE TYPE	MESH TYPE	
	FIBREGLASS	ALUMINUM
T	.180	.170
Round	.125	.125
Polyfoam	.160	.160

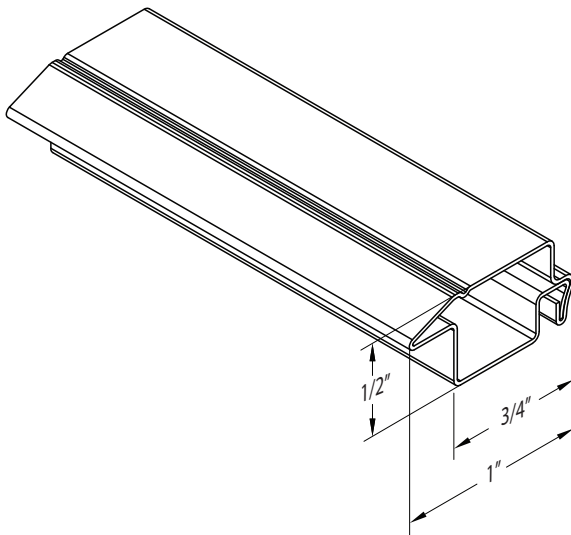


S-132 1-1/8" x 5/16" with Pull Rail

Extruded Screen Frame (Interior Application)

STOCK LENGTH	SUITABLE CORNER
16'	S-348

SPLINE TYPE	MESH TYPE	
	FIBREGLASS	ALUMINUM
T	.215	.215
Round	.155	.155
Polyfoam	.200	.200



S-135 1/2" x 3/4"

Rollformed Screen Frame with Lip (Interior/Exterior Application)

STOCK LENGTH	SUITABLE CORNER
13'6"	See Corners Section (Page 12)

SPLINE TYPE	MESH TYPE	
	FIBREGLASS	ALUMINUM
T	.170	.170
Round	.125	.125
Polyfoam	.160	.160