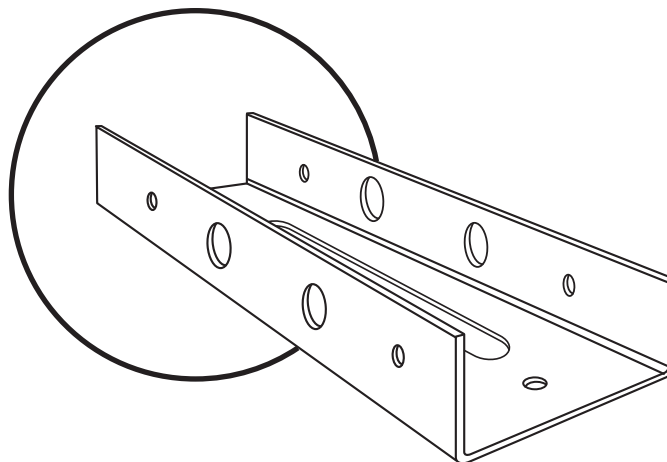


- Galvanized Steel
- Stainless Steel
- Aluminum

Profiles

Custom Rollformed Profiles

Our experienced in-house engineers and dedicated design team can find solutions to meet your rollforming needs.



Fabrication

Custom Fabrication of Rollformed Lineals

We will cut to length, pre-punch or notch any custom profile to suit your application.