

MISSION STATEMENT

Screenco is dedicated to servicing our customers' needs. Our objective is to provide our customers with innovative, well designed and superior quality rollform and screen products. Screenco has a well-earned international reputation for great service, competitive pricing and outstanding reliability.

SCREENCO MANUFACTURING LTD.

HEAD OFFICE

290 Millway Avenue, Concord, Ontario, Canada L4K 3W4

T 905.669.9440 **F** 905.669.9480 **TF** 866.745.6788

W www.screenco.ca **E** info@screenco.ca

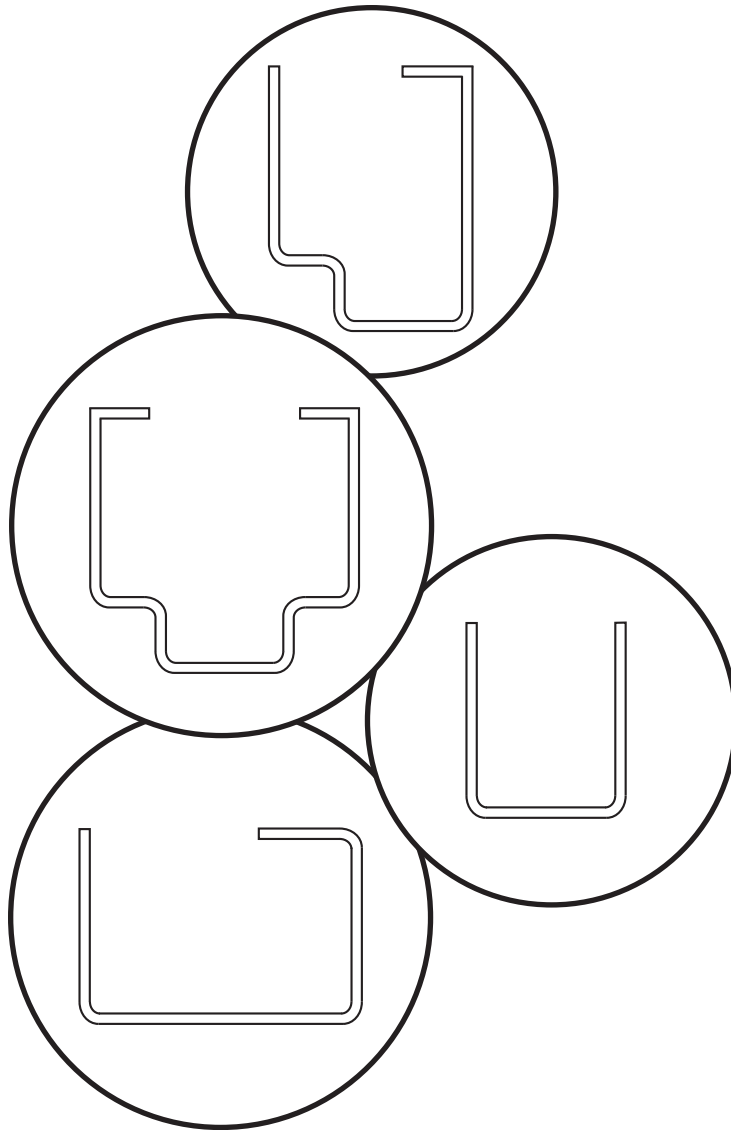
CONTACT LIST

Chief Executive Officer	Eva Ryterband	eva@screenco.ca
President	Jennifer Small	jennifer@screenco.ca
Chief Financial Officer	Daniel Saperia	daniel@screenco.ca
Vice President Sales	A.B. (Skip) MacLean	skip@screenco.ca
Plant Manager	Jonathan Bozanin	jonathan@screenco.ca

SCREENCO WEST - CALGARY, ALBERTA

T 403-720-7817 **F** 403-720-0861

E infowest@screenco.ca

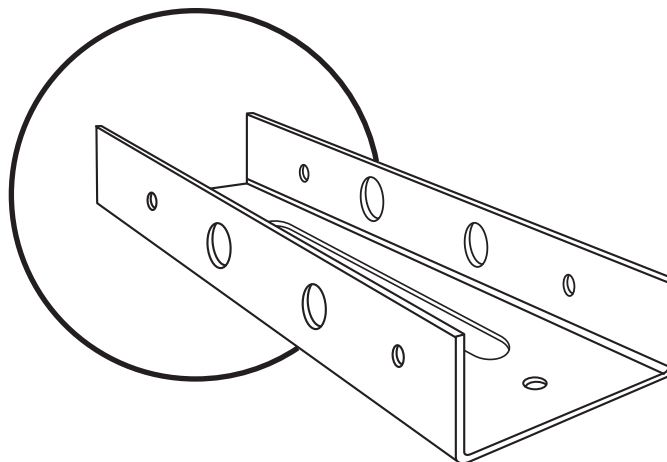


- Galvanized Steel
- Stainless Steel
- Aluminum

Profiles

Custom Rollformed Profiles

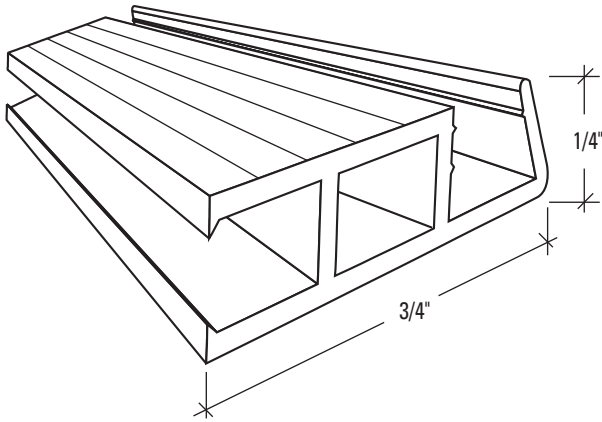
Our experienced in-house engineers and dedicated design team can find solutions to meet your rollforming needs.



Fabrication

Custom Fabrication of Rollformed Lineals

We will cut to length, pre-punch or notch any custom profile to suit your application.



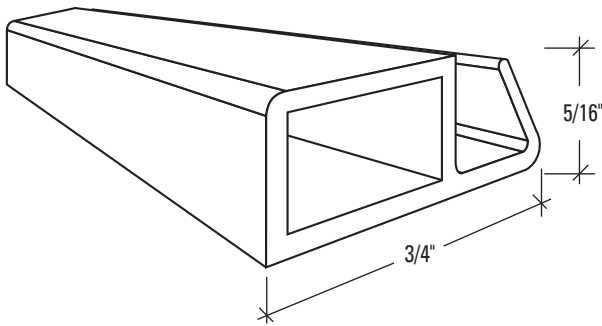
S-100 1/4" x 3/4"

Extruded Screen Frame

STOCK LENGTH	SUITABLE CORNER
12 ft	S-349 Mitre

Quick Reference Spline Chart

SPLINE TYPE	MESH TYPE	
	FIBREGLASS	ALUMINUM
T	.200	.180
Round	.155	.125
Polyfoam	.160	.140



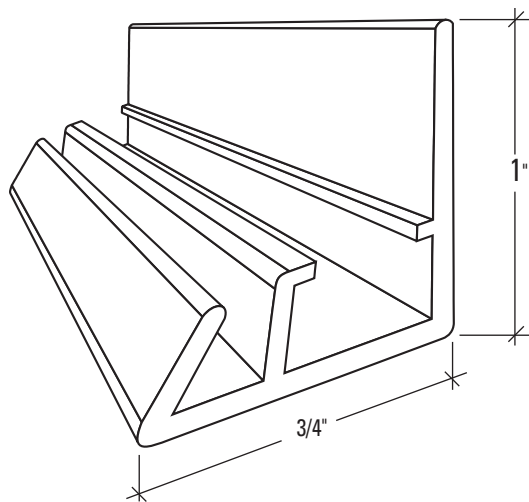
S-102 5/16" x 3/4"

Extruded Screen Frame

STOCK LENGTH	SUITABLE CORNER
12 ft	S-353 Mitre

Quick Reference Spline Chart

SPLINE TYPE	MESH TYPE	
	FIBREGLASS	ALUMINUM
T	.215	.200
Round	.155	.125
Polyfoam	.180	.170



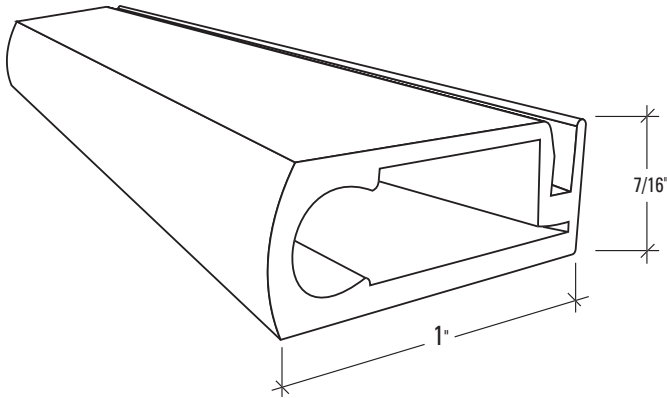
S-113 5/16" x 3/4" x 1"

Extruded Screen Frame with Leg

STOCK LENGTH	SUITABLE CORNER
12 ft	S-353 Mitre

Quick Reference Spline Chart

SPLINE TYPE	MESH TYPE	
	FIBREGLASS	ALUMINUM
T	.215	.200
Round	.155	.125
Polyfoam	.180	.170



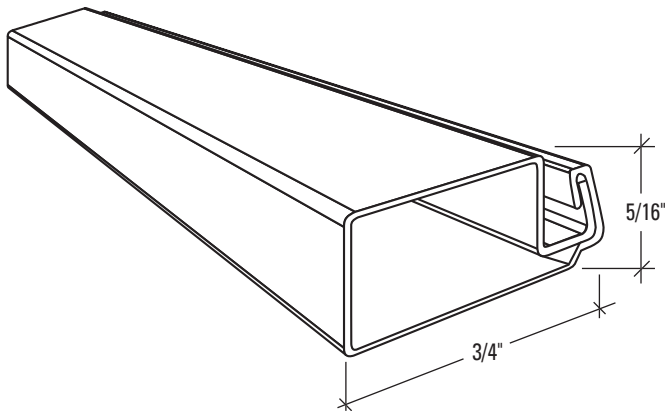
S-119 7/16" x 1"

Extruded Screen Frame

STOCK LENGTH	SUITABLE CORNER
12 ft	S-355 Mitre

Quick Reference Spline Chart

SPLINE TYPE	MESH TYPE	
	FIBREGLASS	ALUMINUM
T	.200	.180
Round	.155	.125
Polyfoam	.180	.140



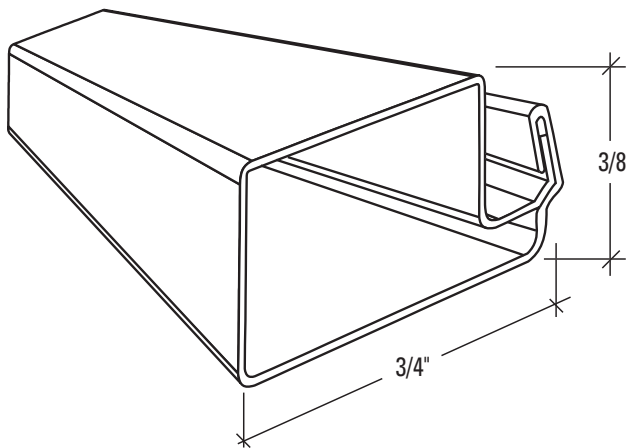
S-124 5/16" x 3/4"

Rollformed Screen Frame

STOCK LENGTH	SUITABLE CORNER
108 pcs x 13'6" / Carton	S-352 Mitre S-352P Straight Cut S-352P-STOP S-360P S-360P-H

Quick Reference Spline Chart

SPLINE TYPE	MESH TYPE	
	FIBREGLASS	ALUMINUM
T	.180	.170
Round	.125	.125
Polyfoam	.160	.160



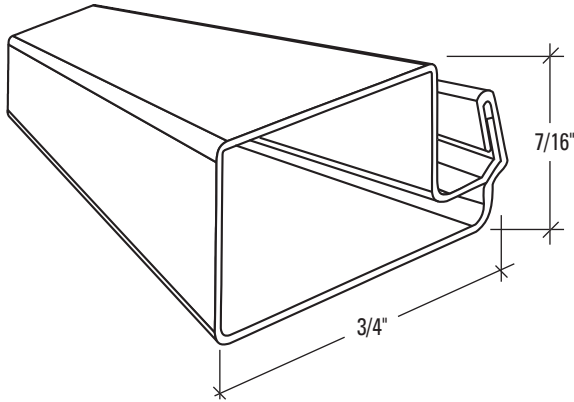
S-125 3/8" x 3/4"

Rollformed Screen Frame

STOCK LENGTH	SUITABLE CORNER
98 pcs x 13'6" / Carton	S-351 Mitre S-351P Straight Cut S-351P-STOP

Quick Reference Spline Chart

SPLINE TYPE	MESH TYPE	
	FIBREGLASS	ALUMINUM
T	.180	.170
Round	.125	.125
Polyfoam	.160	.160



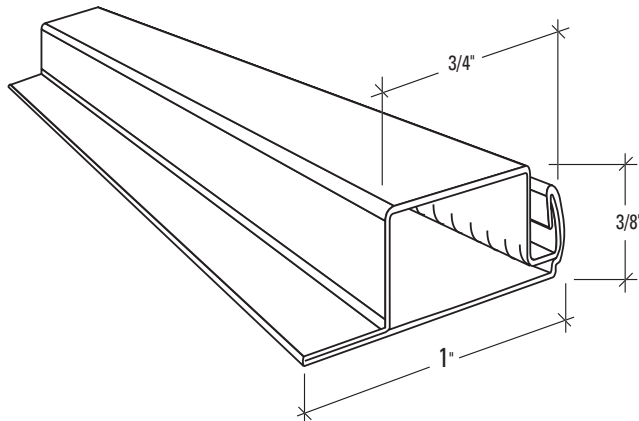
S-126 7/16" x 3/4"

Rollformed Screen Frame

STOCK LENGTH	SUITABLE CORNER
90 pcs x 13'6" / Carton	S-350 Mitre S-350P Straight Cut

Quick Reference Spline Chart

SPLINE TYPE	MESH TYPE	
	FIBREGLASS	ALUMINUM
T	.180	.170
Round	.125	.125
Polyfoam	.160	.140



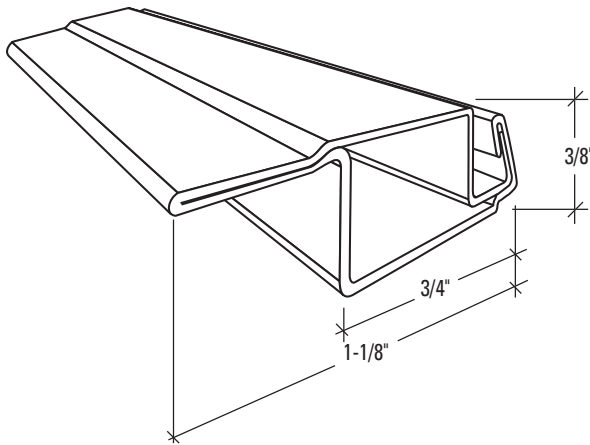
S-128 3/8" x 3/4"

Rollformed Screen Frame with Lip (Interior Application)

STOCK LENGTH	SUITABLE CORNER
90 pcs x 13'6" / Carton	S-351 Mitre S-358P Straight Cut

Quick Reference Spline Chart

SPLINE TYPE	MESH TYPE	
	FIBREGLASS	ALUMINUM
T	.180	.170
Round	.125	.125
Polyfoam	.160	.140



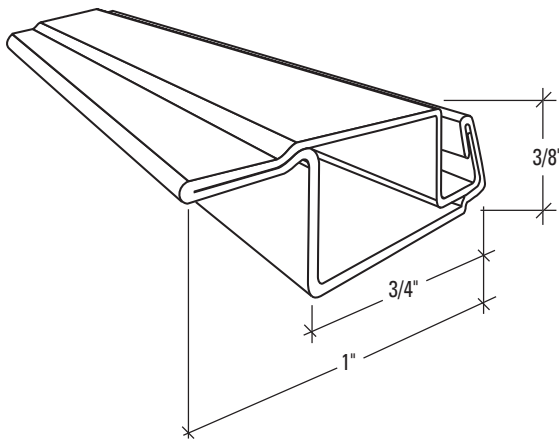
S-129 3/8" x 3/4"

Rollformed Screen Frame with Lip (Exterior Application)

STOCK LENGTH	SUITABLE CORNER
90 pcs x 13'6" / Carton	S-351 Mitre S-356P Straight Cut

Quick Reference Spline Chart

SPLINE TYPE	MESH TYPE	
	FIBREGLASS	ALUMINUM
T	.215	.200
Round	.155	.125
Polyfoam	.200	.180



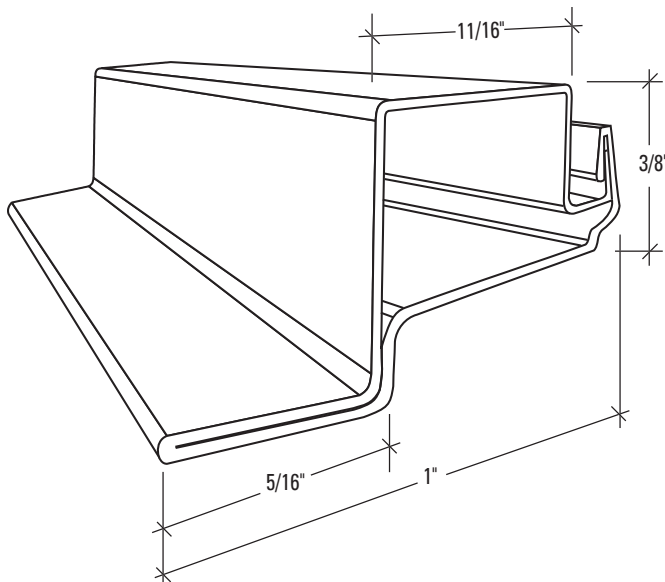
S-129S 3/8" x 3/4"

Rollformed Screen Frame with Lip (Exterior Application)

STOCK LENGTH	SUITABLE CORNER
90 pcs x 13'6" / Carton	S-351 Mitre S-356PS Straight Cut S-356PS-L/R S-356PS-1L/1R

Quick Reference Spline Chart

SPLINE TYPE	MESH TYPE	
	FIBREGLASS	ALUMINUM
T	.180	.170
Round	.125	.125
Polyfoam	.160	.160



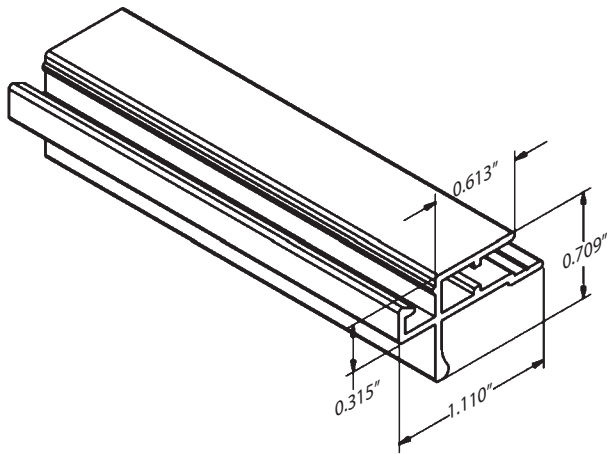
S-130 3/8" x 3/4"

Rollformed Screen Frame with Lip (Interior Application)

STOCK LENGTH	SUITABLE CORNER
80 pcs x 13'6" / Carton	S-351 Mitre S-357P Straight Cut S-359P S-359P-H S-359P-RL/RR S-359P-RHL/RHR

Quick Reference Spline Chart

SPLINE TYPE	MESH TYPE	
	FIBREGLASS	ALUMINUM
T	.180	.170
Round	.125	.125
Polyfoam	.160	.160

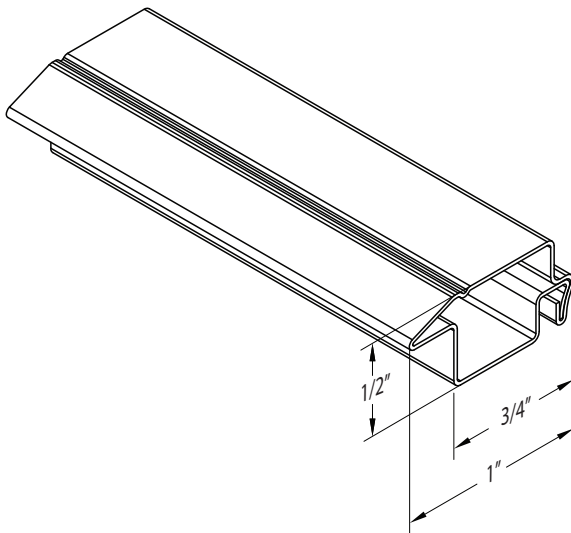


S-132 1-1/8" x 5/16" with Pull Rail

Extruded Screen Frame (Interior Application)

STOCK LENGTH	SUITABLE CORNER
16'	S-348

SPLINE TYPE	MESH TYPE	
	FIBREGLASS	ALUMINUM
T	.215	.215
Round	.155	.155
Polyfoam	.200	.200

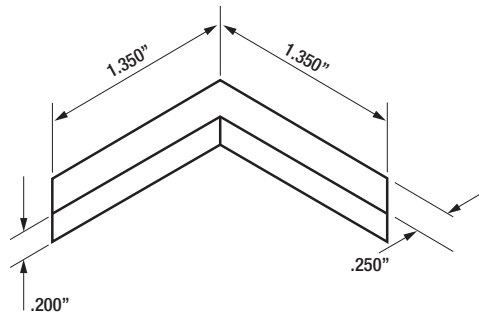


S-135 1/2" x 3/4"

Rollformed Screen Frame with Lip (Interior/Exterior Application)

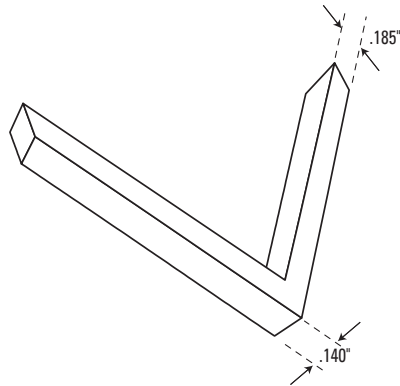
STOCK LENGTH	SUITABLE CORNER
13'6"	See Corners Section (Page 12)

SPLINE TYPE	MESH TYPE	
	FIBREGLASS	ALUMINUM
T	.170	.170
Round	.125	.125
Polyfoam	.160	.160



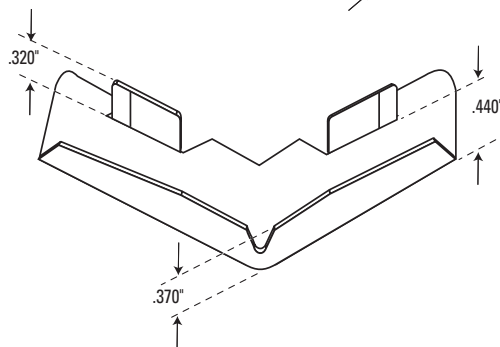
S-348

Internal Mitre Corner - Solid Aluminum for
S-132 Extruded Screen Frame



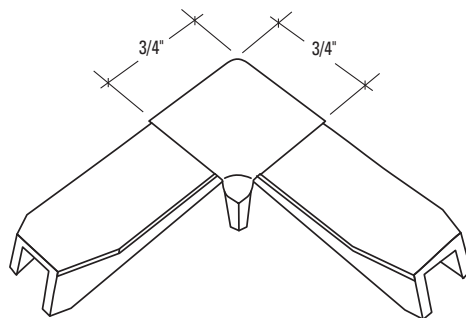
S-349

Internal Mitre Corner - Solid Aluminum for
S-100 Extruded Screen Frame



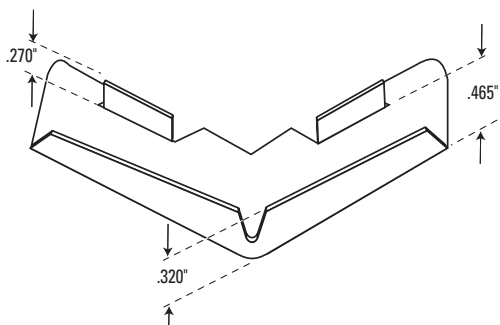
S-350

Internal Mitre Corner - Stamped Aluminum for
S-126 Rollformed Screen Frame



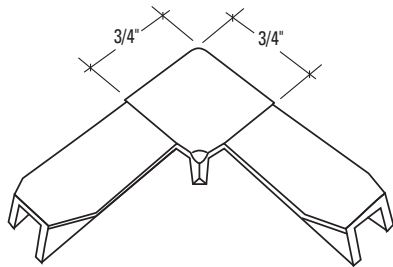
S-350P

Straight Cut Poly Corner
for **S-126** Rollformed Screen Frame



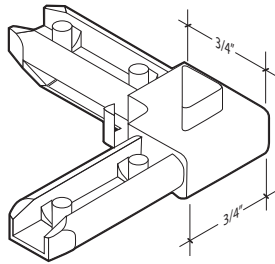
S-351

Internal Mitre Corner - Stamped Aluminum
for **S-125, S-128, S-129,**
S-129S and **S-130**
Rollformed Screen Frames



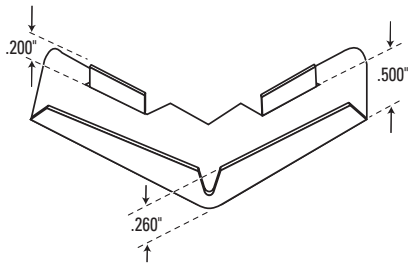
S-351P

Straight Cut Poly Corner
for **S-125** Rollformed Screen Frame



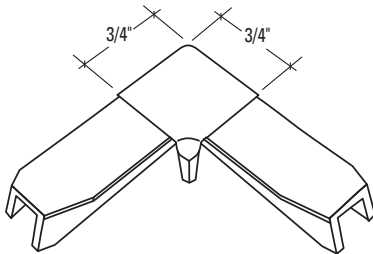
S-351P-STOP

Straight Cut Poly Corner - With Stop
for **S-125** Rollformed Screen Frame



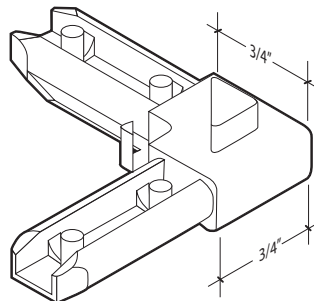
S-352

Internal Mitre Corner - Stamped Aluminum
for **S-124** Rollformed Screen Frame



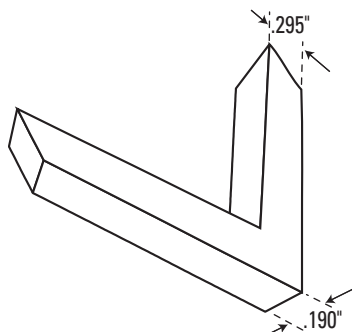
S-352P

Straight Cut Poly Corner
for **S-124** Rollformed Screen Frame



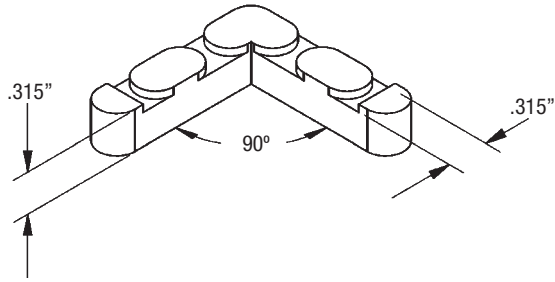
S-352P-STOP

Straight Cut Poly Corner - With Stop
for **S-124** Rollformed Screen Frame



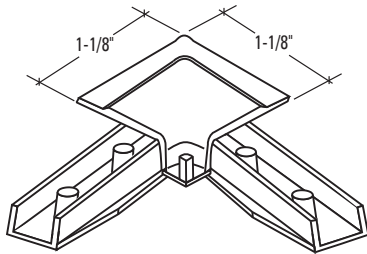
S-353

Internal Mitre Corner - Solid Aluminum
for **S-102** and **S-113**



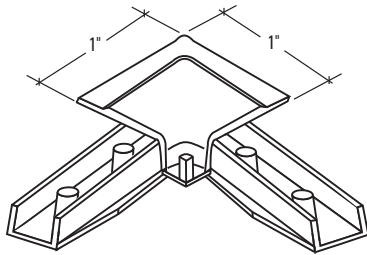
S-355

Internal Mitre Corner - Solid Aluminum
for **S-119** Extruded Screen Frame



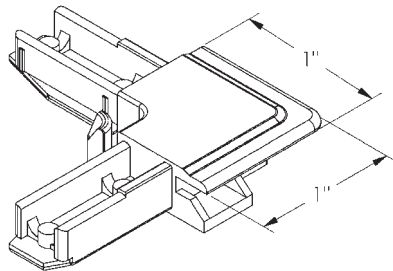
S-356P

Straight Cut Poly Corner
for **S-129** Rollformed Screen Frame



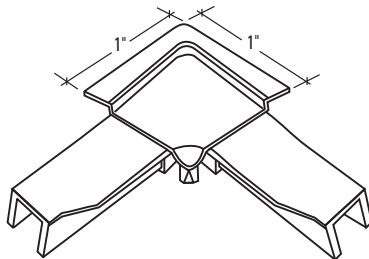
S-356PS

Straight Cut Poly Corner
for **S-129S** Rollformed Screen Frame



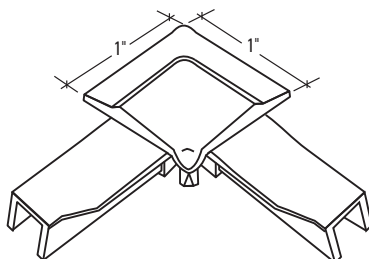
S-356PS L/R

Straight Cut Poly Corner
for **S-129S** Rollformed Screen Frame
with tabs (Left and Right)



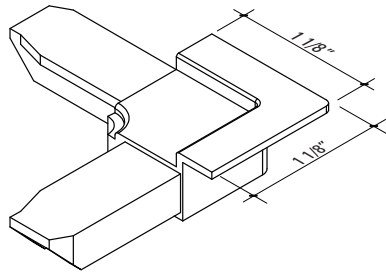
S-357P

Straight Cut Poly Corner
for **S-130** Rollformed Screen Frame



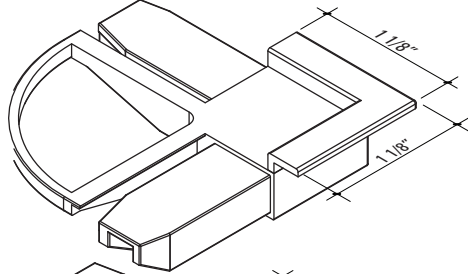
S-358P

Straight Cut Poly Corner
for **S-128** Rollformed Screen Frame



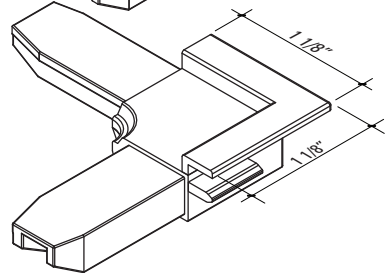
S-359P

Straight Cut Poly Corner
For **S-130** Rollformed Screen Frame
(1 3/4" Breakdown)



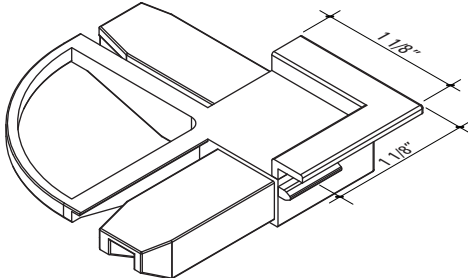
S-359P-H

Straight Cut Poly Corner
For **S-130** Rollformed Screen Frame
With handle (1 3/4" Breakdown)



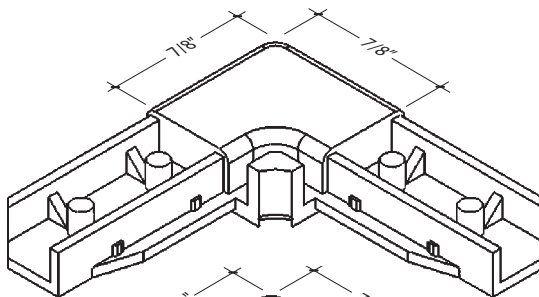
S-359P-RL/RR

Straight Cut Poly Corner
For **S-130** Rollformed Screen Frame
With large retainer tab - left/right (1 3/4" Breakdown)



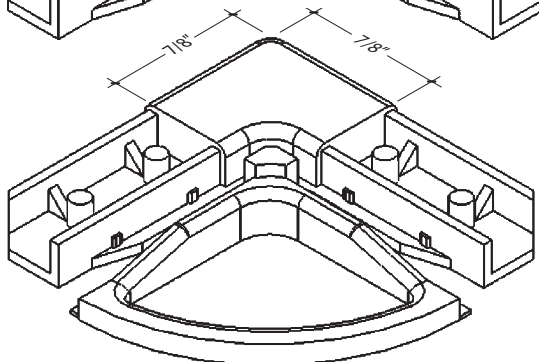
S-359P-RHL/RHR

Straight Cut Poly Corner
For **S-130** Rollformed Screen Frame
With small retainer tab and handle - left/right
(1 3/4" Breakdown)



S-360P

Straight Cut Poly Corner
For **S-124** Rollformed Screen Frame
(1 3/4" Breakdown)



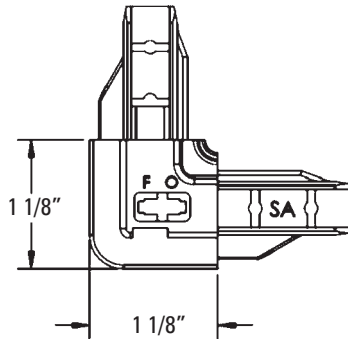
S-360P-H

Straight Cut Poly Corner
For **S-124** Rollformed Screen Frame
With handle (1 3/4" Breakdown)

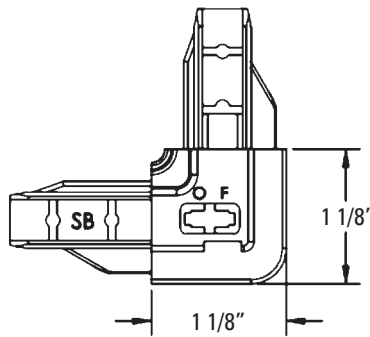
Corner System for S-135 Rollformed Screen Frame

Bulk Components

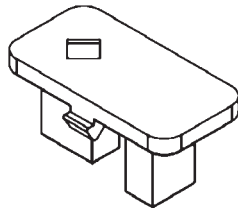
S-388
Poly Corner "A"
Base Only
(1 3/4" Breakdown)



S-389
Poly Corner "B"
Base Only
(1 3/4" Breakdown)



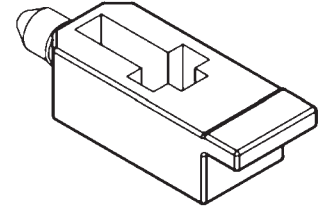
S-390
Cover for Poly Corner



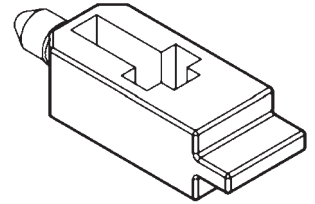
S-391
Spring for Operating
Poly Corner



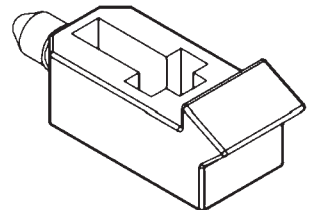
S-392
Slide Pin .170" Slot



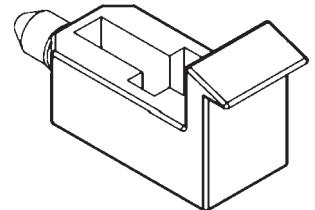
S-393
Slide Pin .085" Slot



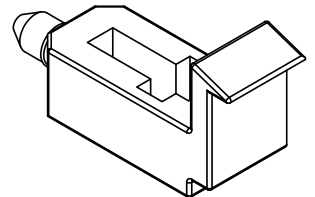
S-394
Slide Pin .185" Chisel



S-395
Slide Pin .430" Hook

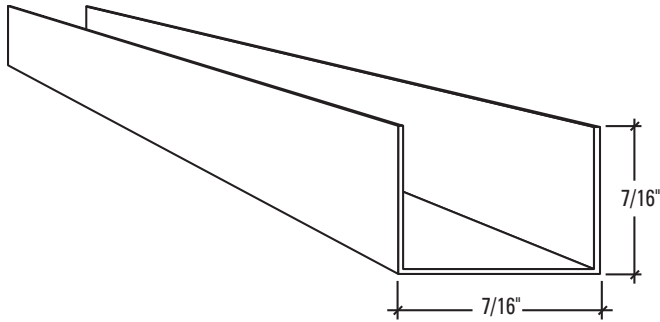


S-396
Slide Pin .465" Hook



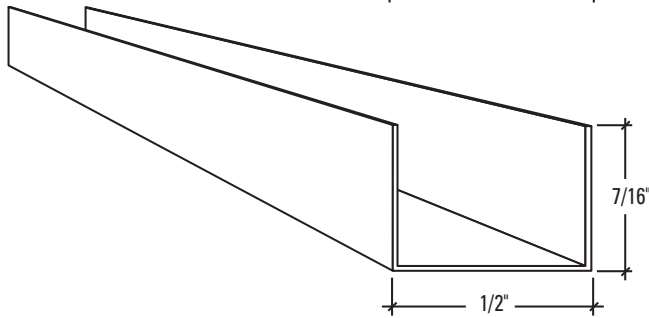
Assembled Corners

	.170" Slot	.085" Slot	.185" Chisel	.430" Hook	.465" Hook
"A" Corner - Fixed	S-372P	S-376P	S-380P	S-384P	S-397
"A" Corner - Operating	S-373P	S-377P	S-381P	S-385P	S-398
"B" Corner - Fixed	S-374P	S-378P	S-382P	S-386P	S-399
"B" Corner - Operating	S-375P	S-379P	S-383P	S-387P	S-400



S-203

Vinyl Track
for S-125 3/8" Screen Frame
(White PVC - 12 ft Lengths)

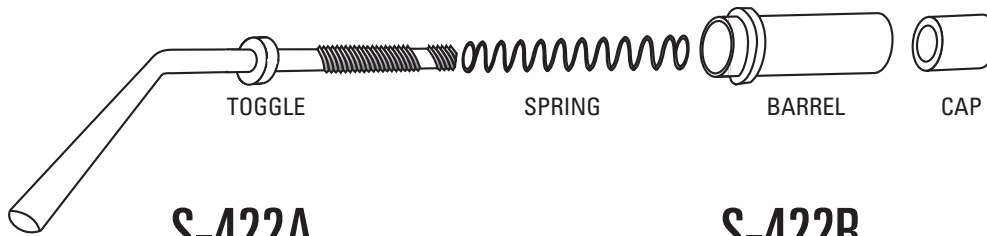


S-205

Vinyl Track
for S-126 7/16" Screen Frame
(White PVC - 12 ft Lengths)

S-422

Toggle Spring Bolt Assembly
with Barrel



S-422A

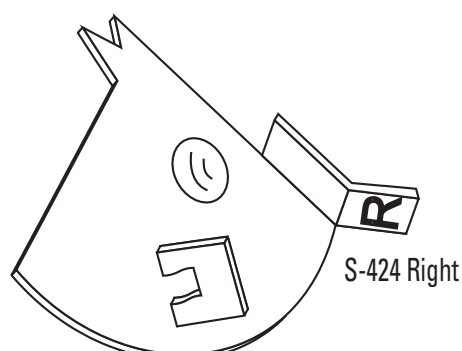
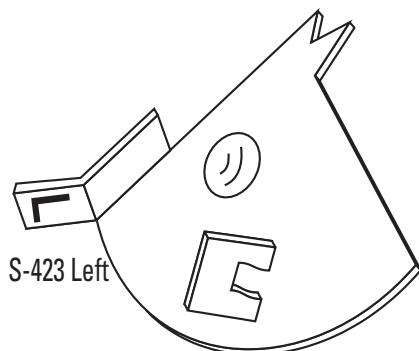
Toggle Spring Bolt without Barrel

S-422B

Barrel Only

S-423/424

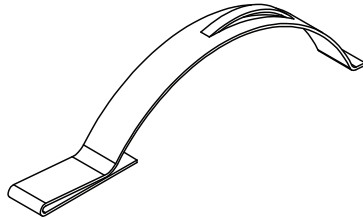
Lance Latches (Sold separately, bulk)
Available Finishes:
Mill or White Aluminum





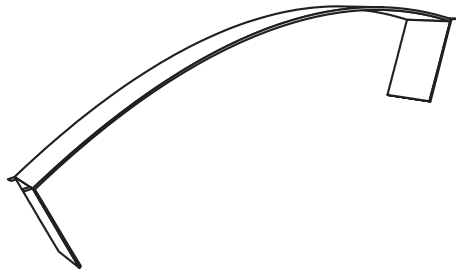
S-426

Retainer Clip
Stainless Steel



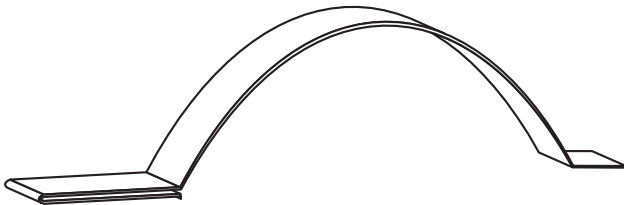
S-427

Corner Compression Spring with Retainer
Stainless Steel



S-428

Compression Spring
Stainless Steel
3/16" Dia. Holes Required



S-429

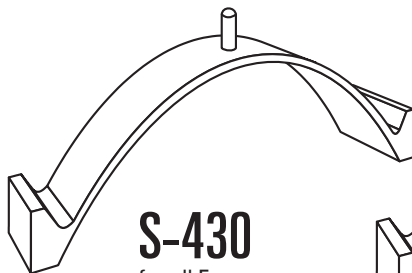
Corner Compression Spring
Stainless Steel

S-429-AD

Corner Compression Spring
Stainless Steel - Heavy Duty

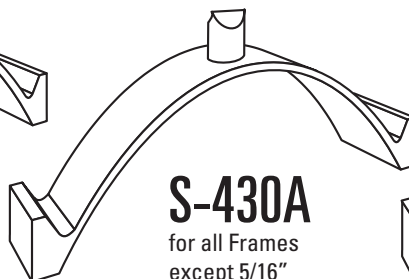
S-430, S-430A, S-431

Interior Plastic Retainer Clip



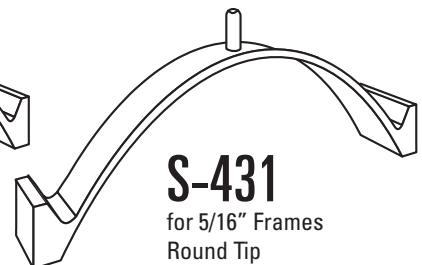
S-430

for all Frames
except 5/16"
Round Tip



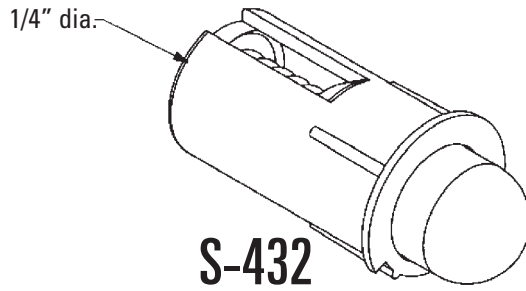
S-430A

for all Frames
except 5/16"
Chisel Head

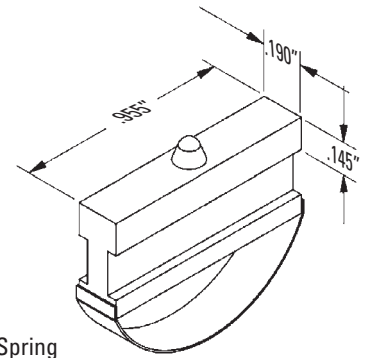


S-431

for 5/16" Frames
Round Tip



S-432
Plastic Bullet Catch

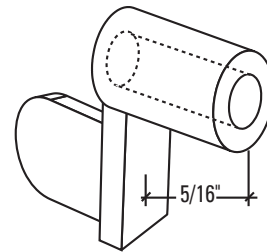


S-433
Retainer Clip with Spring
for S-132 Extruded Screen Frame

5/16" Turn Clip



S-458
Zinc Plated
#8 x 3/4" and #2 Socket - Type A STS

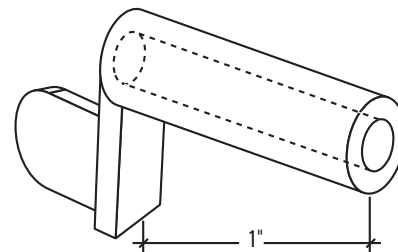


S-436-M
Zinc Diecast
S-436-P
Plastic

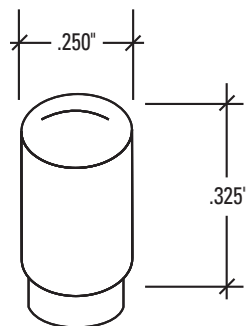
1" Turn Clip



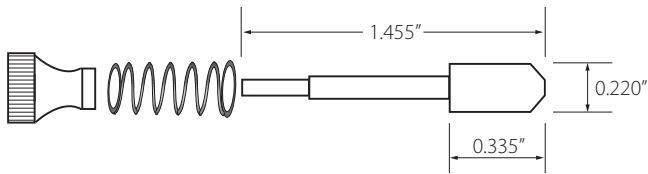
S-456
Zinc Plated
#8 x 1-1/2" and #2 Socket - Type A STS



S-440-M
Zinc Diecast
S-440-P
Plastic

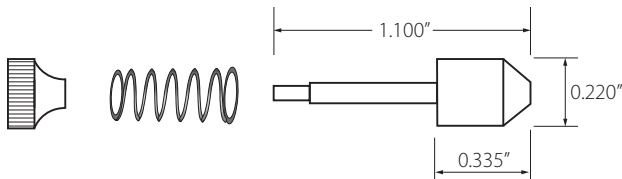


S-450
Fixed Pin



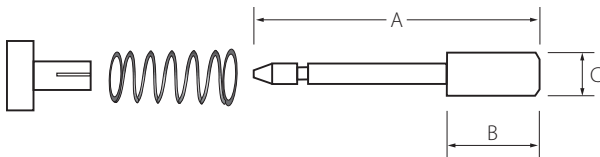
S-481-M

1/4" Dia. Spring Bolt Assembly
with Metal Head, Metal Shaft
Sold in bulk, unassembled



S-481-MS

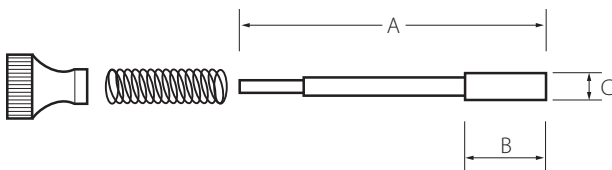
1/4" Dia. Spring Bolt Assembly
with Metal Head, Metal Shaft
Sold in bulk, unassembled



S-485-P, S-485-PS

3/16" Dia. Spring Bolt Assembly
with Nylon Snap-on Head, Metal Shaft
White / Black Head Available
Sold in bulk, unassembled

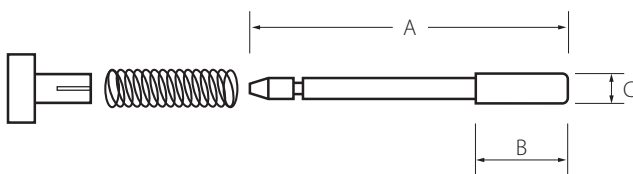
Part Number	Dimensions (in)		
	A	B	C
S-485-P	1.375	0.400	0.185
S-485-PS	1.140	0.265	0.185



S-486M, S-486ML

1/8" Dia. Spring Bolt Assembly
with Metal Head, Metal Shaft
Sold in bulk, unassembled

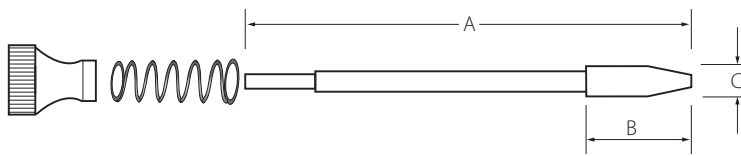
Part Number	Dimensions (in)		
	A	B	C
S-486-M	1.400	0.400	0.125
S-486-ML	1.455	0.465	0.125



S-486-P, S-486-PL

1/8" Dia. Spring Bolt Assembly
with Nylon Snap-on Head, Metal Shaft
White / Black Head Available
Sold in bulk, unassembled

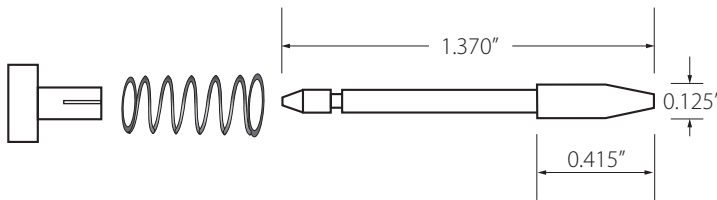
Part Number	Dimensions (in)		
	A	B	C
S-486-P	1.365	.395	.125
S-486-PL	1.465	.395	.125



S-486-MLT, S-486-ML135

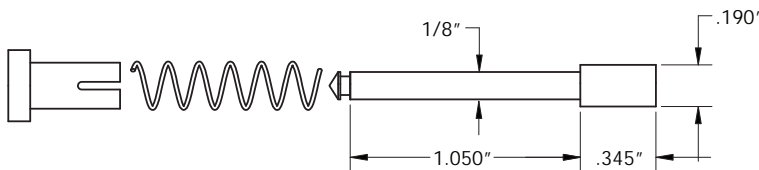
Spring Bolt - Assembly with Metal Head,
Metal Shaft, and Tapered Tip

Part Number	Dimensions (in)		
	A	B	C
S-486-MLT	1.460	0.455	0.125
S-486-MLT-135	1.460	0.365	0.135



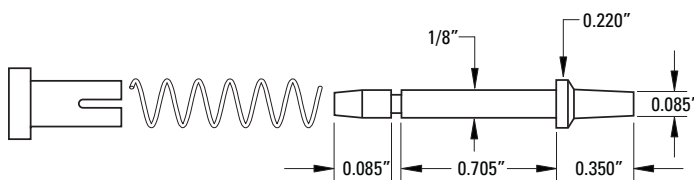
S-486-PP

Regular Length 1/8" Dia. Spring
Bolt Assembly with Tapered Tip,
Nylon Snap-on Head,
Metal Shaft
White / Black Head Available



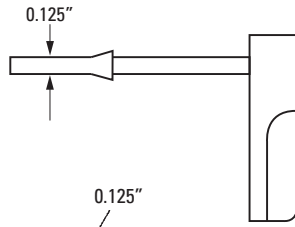
S-487-P

3/16" Dia. Spring Bolt
Plastic Shaft and Head

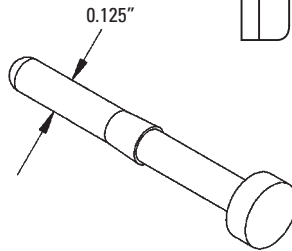


S-487-P-B

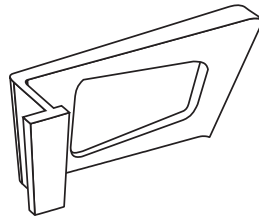
#138
1/8" Dia. Spring Bolt Assembly
With Tapered Tip
Nylon Shaft and Head



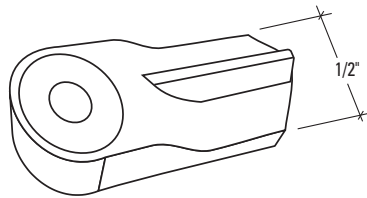
S-488
Push Pins
White Nylon



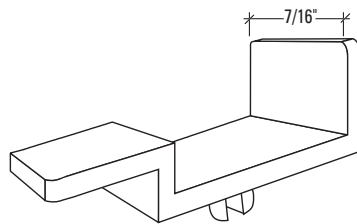
S-489
Mark x Pin
White Nylon



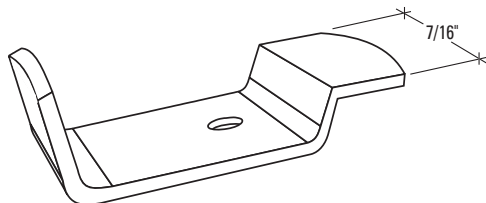
S-500
Screen Pull Handle, Plastic
Black, White or Clear



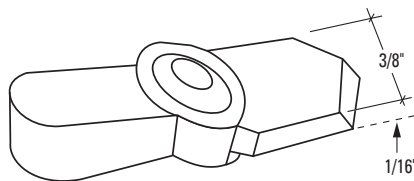
S-501
Flush Turn Clip
White Nylon



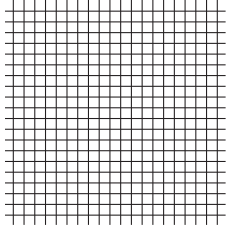
S-502
Press-On U-Clip, Plastic
White



S-503
U-Clip
Aluminum Mill Finish



S-504
Turn Clip - 1/16" Step
White Nylon



Fibreglass Mesh

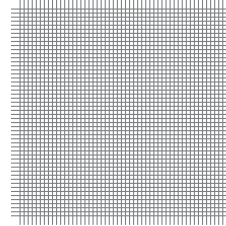
Black or Grey

18 x 16 Mesh

Available in:

- 100' Rolls - 16" to 96" Wide
- 600' Rolls - 16" to 60" Wide

- Stock



Better Vue Mesh

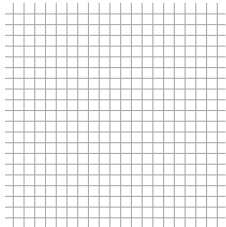
Black

20 x 20 Mesh

Available in:

- 100' Rolls - 24" to 96" Wide
- 300' Rolls - 18" to 48" Wide

- Limited Stock



Aluminum Mesh

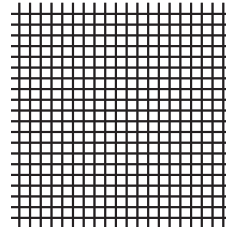
Black or Bright

18 x 16 Mesh

Available in:

- 100' Rolls - 16" to 72" Wide

- Stock



Tuff Screen

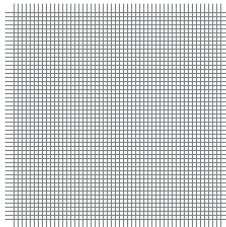
Black

17 x 13 Mesh

Available in:

- 100' Rolls - 36", 48", 60", 96", & 120" Wide

- Special Order



No See-Um Mesh

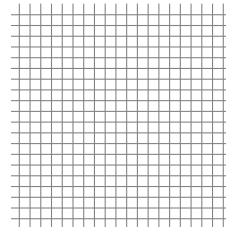
Black or Bright

20 x 20 Mesh

Available in:

- 100' Rolls - 36", 48", & 84" Wide

- Stock



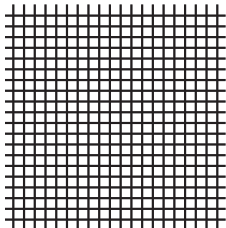
Stainless Steel Mesh

18 x 14 Mesh

Available in:

- 100' Rolls - 30", 36", & 48" Wide

- Special Order



Pet Mesh

Black

17 x 10 Mesh

Available in:

- 100' Rolls - 36", 48", & 60" Wide

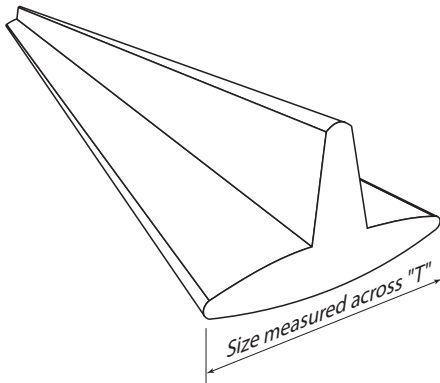
- Stock

Specialty Mesh

Copper (16 x 16) and bronze (18 x 14) screen mesh available in limited quantities and sizes.

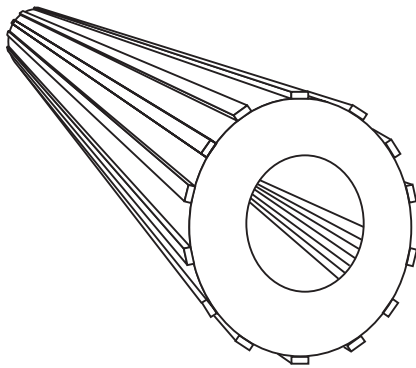
Please inquire.

- Special Order



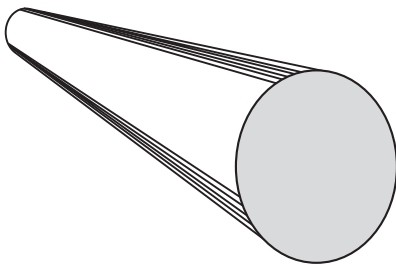
T-Spline

CODE	STOCK LENGTH	SIZE (in)	AVAILABILITY
S-305	4000 ft Rolls	.170	Stock
S-305-PD	4000 ft Rolls	.170	Stock
S-307	4000 ft Rolls	.180	Stock
S-308	4000 ft Rolls	.200	Stock
S-309	4000 ft Rolls	.215	Stock
S-310	4000 ft Rolls	.160	Stock
S-311	4000 ft Rolls	.230	Order



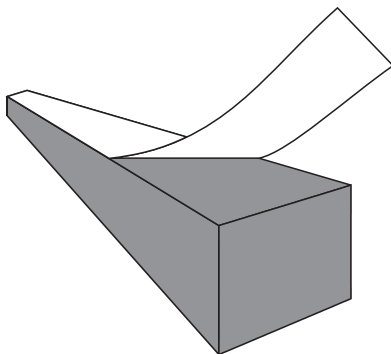
Round Spline

CODE	STOCK LENGTH	SIZE (in dia.)	AVAILABILITY
S-295	4000 ft Rolls	.165	Order
S-296	4000 ft Rolls	.171	Order
S-297	4000 ft Rolls	.115	Order
S-298	4000 ft Rolls	.137	Order
S-299	4000 ft Rolls	.150	Stock
S-300	4000 ft Rolls	.130	Stock
S-302	4000 ft Rolls	.125	Stock
S-303	4000 ft Rolls	.155	Stock
S-304	4000 ft Rolls	.140	Stock



Polyfoam Spline

CODE	STOCK LENGTH	SIZE (in dia.)	AVAILABILITY
S-312	4490 ft	.140	Stock
S-313	2850 ft	.160	Stock
S-314	2700 ft	.170	Stock
S-315	2240 ft	.180	Stock
S-316	1800 ft	.200	Stock
S-318	1490 ft	.225	Stock
S-319	1190 ft	.250	Stock



Foam Tape

Indicate (G) for Grey or (W) for White

CODE	COLOURS	STOCK LENGTH	SIZE	AVAILABILITY
S-320	Grey, White	2000' Rolls	1/4" x 3/8"	Stock
S-321	Grey, White	1500' Rolls	3/8" x 3/8"	Stock
S-322	Grey, White	800' Rolls	1/2" x 1/2"	Stock

SP5 - 1 1/2" x 1/2" Profile

SP6 - 2" x 1/2" Profile

SP7 - 1 1/2" x 1/2" Profile

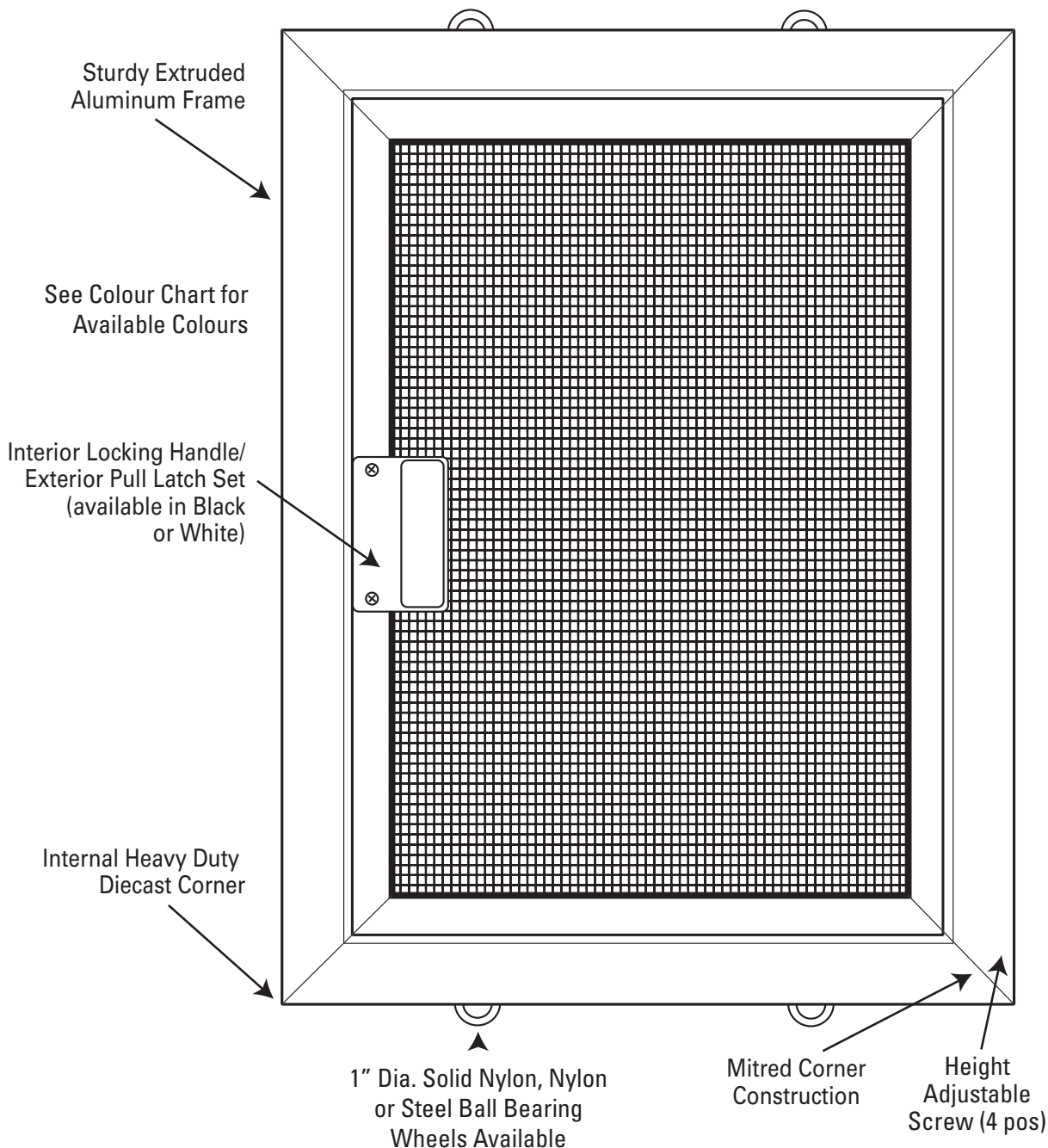
Extruded Frame Patio Door Screens

CHOICE OF MESH

- Black or Grey Fibreglass
- Bright or Black Aluminum
- Stainless Steel
- Pet Mesh

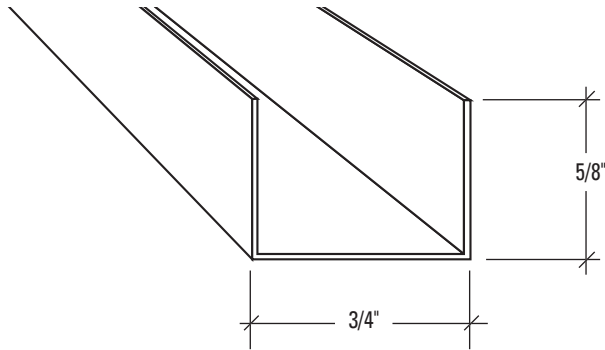
CHOICE OF BUG STRIP

- Flexible Vinyl (S-610, S-613)
- Deluxe Fur Pile (S-611, S-612, S-619)



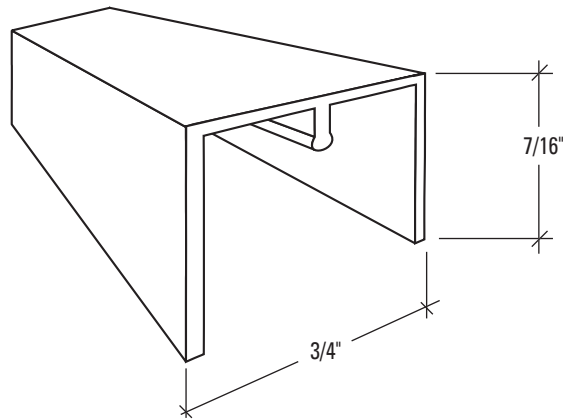
Frame Designs Allow for Reversibility (left or right rolling)

*Also Available - Knock Down



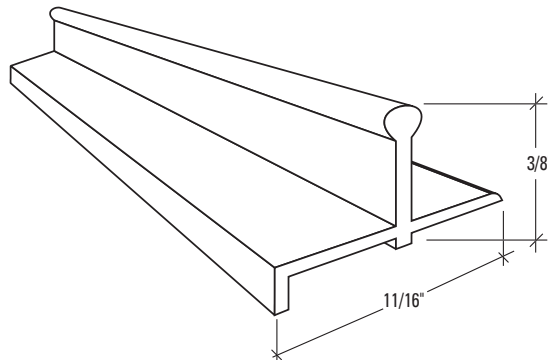
S-176

Jamb Track, Aluminum
Available in White
and Mill Finish,
14 ft Stock Length



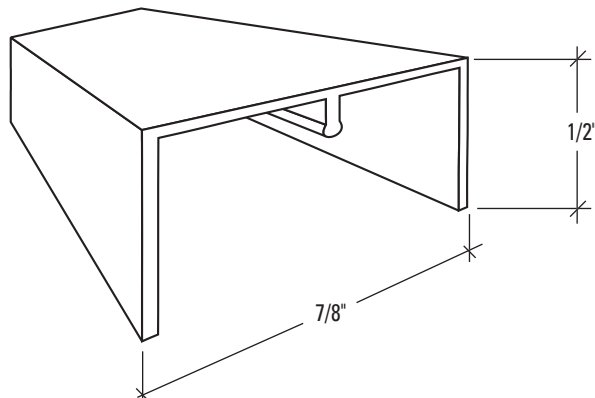
S-177

Header Track, Aluminum
Available in White
and Mill Finish,
12 ft Stock Length



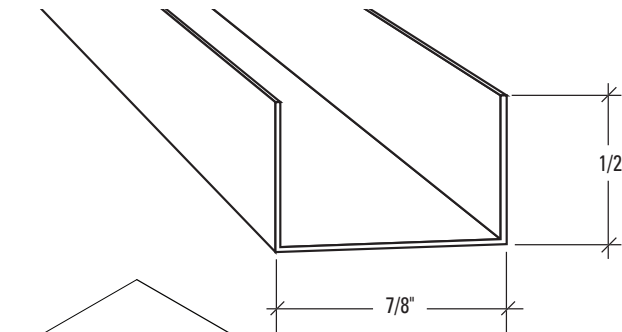
S-178

Aluminum Sill Track
Available in Mill Finish,
12 ft Stock Length



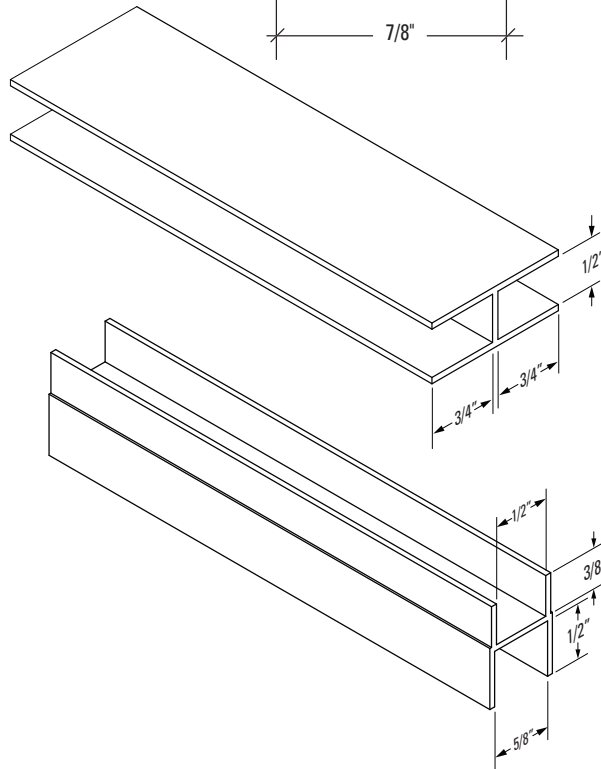
S-179

Header Track, White Vinyl
12 ft Stock Length



S-180

Jamb Track, White Vinyl
14 ft Stock Length

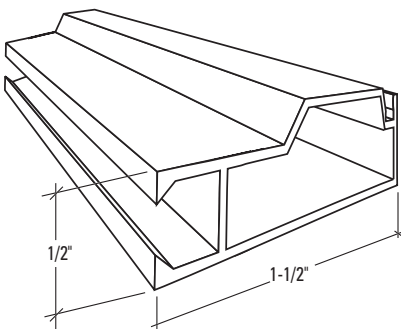


S-181

Meeting Rail/Joiner, White Vinyl
8 ft Stock Length

S-182

Meeting Rail/Joiner, Aluminum
Available in White & Mill Finish
13 1/4" Stock Length



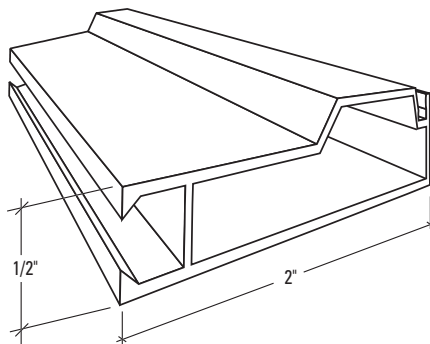
SP5

Slimline Screen Frame

STOCK LENGTH

13-1/2 feet
12-1/2 feet

*Uses S-618 Corner



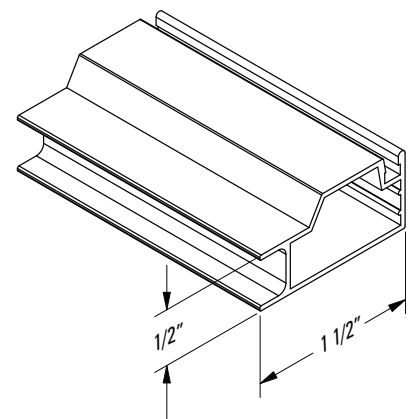
SP6

Heavy Duty Screen Frame

STOCK LENGTH

13-1/2 feet
12-1/2 feet

*Uses S-617 Corner



SP7

Slimline Screen Frame

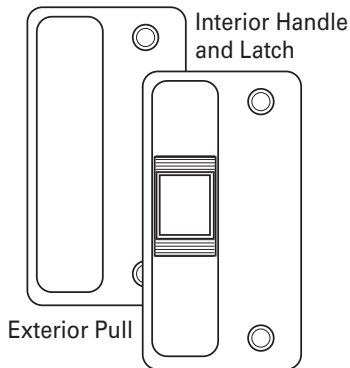
STOCK LENGTH

13-1/2 feet

*Uses S-618 Corner

S-600P5 or S-600P6

Replacement Lock Sets
Includes Exterior Pull, Interior
Locking Handle with Slide and
Strike, Keeper and Screws
S-600-P5 - SP5 Doors
S-600-P6 - SP6 Doors

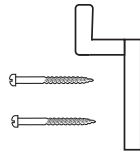


Specify Colour - Black or White
Specify Keeper - 5/8" or 7/16"



Latch Strike

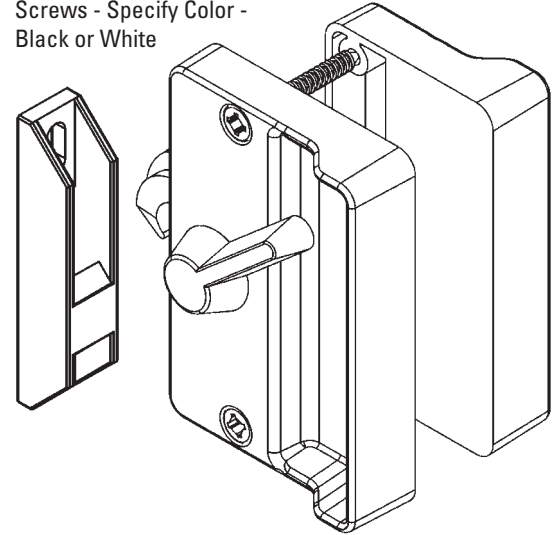
Keeper and Screws



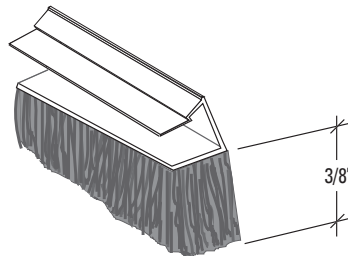
Keeper and Screws Only
S-608 - 5/8" (for SP6 Doors)
S-608-438 - 7/16" (for SP5 Doors)

S-601

Replacement Lock Set for SP7
Includes Exterior Pull, Interior
Locking Handle Keeper and
Screws - Specify Color -
Black or White

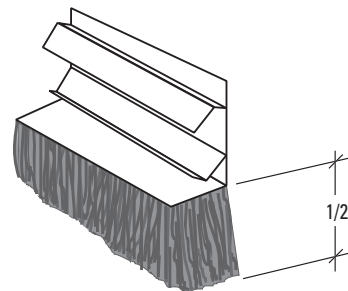


Deluxe Fur Pile Bug Strips



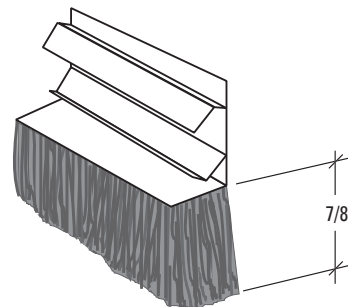
S-611

Deluxe Bug Strip
Available in White Extrusion
with Grey Pile
(84" Length)



S-612

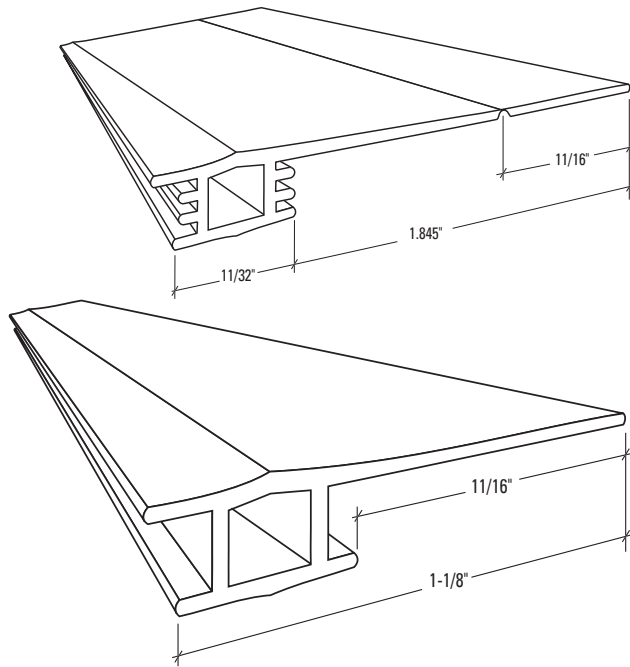
Deluxe Bug Strip
Available in Black
(84" Length)



S-619

Deluxe Bug Strip
Available in White
(84" Length)

Flexible Vinyl Bug Strips

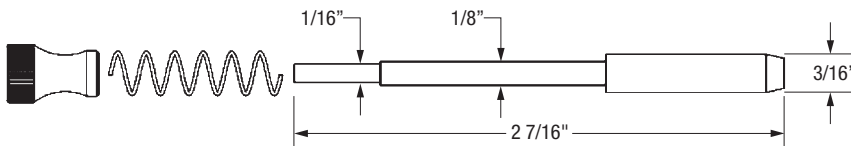


S-610

Bug Strip Vinyl
7 ft Stock Length Available in Black or White
100" Length Available in Black Only

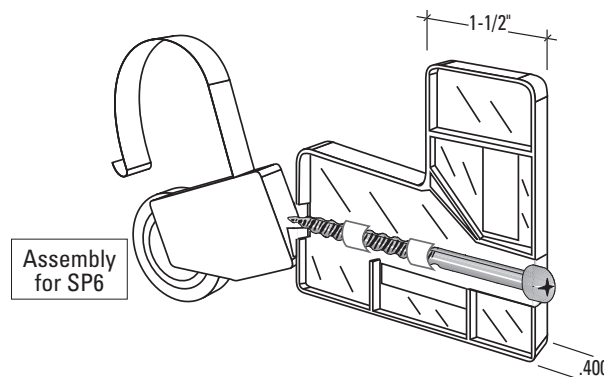
S-613

Bug Strip Black Vinyl
500 ft Roll



S-622

Spring Bolt Assembly For SP5 Patio Door
Screen With Metal Head, Metal Shaft

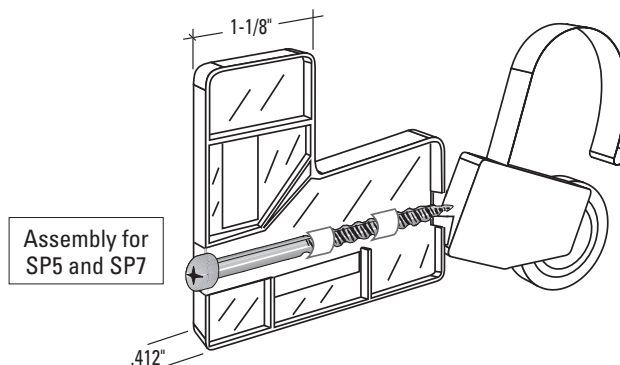


Assembly
for SP6

SP6

Corner & Roller Sets (Bulk)

- S-605 - Steel Wheel
- S-606 - Solid Nylon Wheel
- S-606D - Nylon Ball Bearing Wheel
- S-617 - Corner Only with Adj. Screw



Assembly for
SP5 and SP7

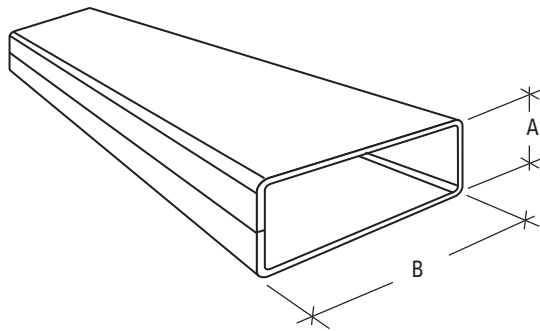
SP5 & SP7

Corner & Roller Sets (Bulk)

- S-616 - Steel Wheel
- S-620 - Solid Nylon Wheel
- S-620D - Nylon Ball Bearing Wheel
- S-618 - Corner Only with Adj. Screw

Roller Assemblies Only (Bulk)

- Fits both S-617 & S-618 corners
- S-614 - Steel Wheel
- S-615 - Solid Nylon Wheel
- S-615D - Nylon Ball Bearing Wheel

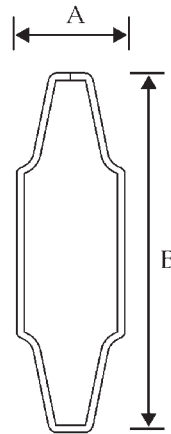


S-120, S-121, S-134

Grille Bar

S-120 also used as screen brace

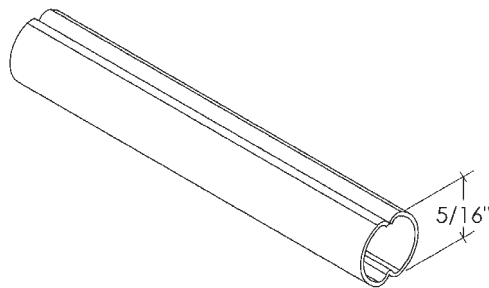
Part Number	Package Quantity	Dimensions (in)	
		A	B
S-120	180 pcs x 13'6"	.230	.630
S-121	260 pcs x 13'6"	.230	.315
S-134	78 pcs x 13'6"	.230	1.000



S-122, S-133, S-136

Georgian Grille Bar

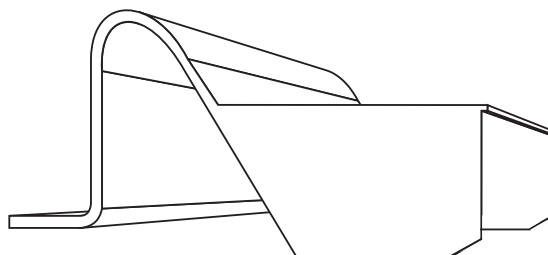
Part Number	Package Quantity	Dimensions (mm)		Dimensions (in)	
		A	B	A	B
S-122	150 pcs x 12'8"	8.0	18.0	.315	.709
S-133	170 pcs x 12'8"	5.5	18.0	.217	.709
S-136	84 pcs x 12'8"	8.0	25.0	.315	.984



S-131

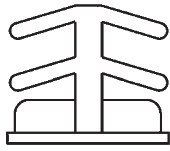
5/16" Round Pencil Bar

Package Quantity: 250 pcs x 13'



S-505

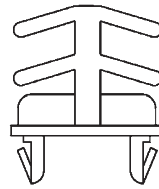
Brace Clips - Metal, White
for use with S-120 Brace Bar



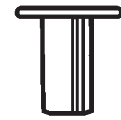
End Plugs Flat
(For S-120 Bar)
S-506 - Black



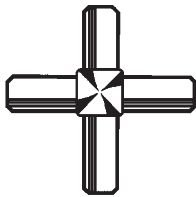
End Plugs Pronged
(For S-120 Bar)
S-507B - Black
S-507C - Clear



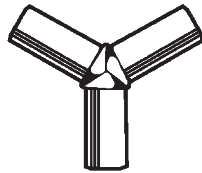
End Plugs Barbed
S-507BB - Black
(For S-120 Bar)
S-533BB - Black
(For S-134 Bar)



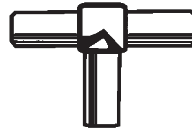
S-516
End Plug Flat
(For S-131 Bar)



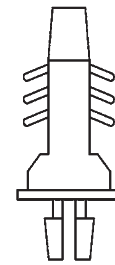
S-515
Cross Connector
(For S-131 Bar)



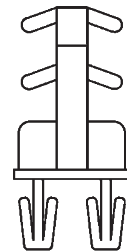
S-515-Y120
120° Y Connector
(For S-131 Bar)



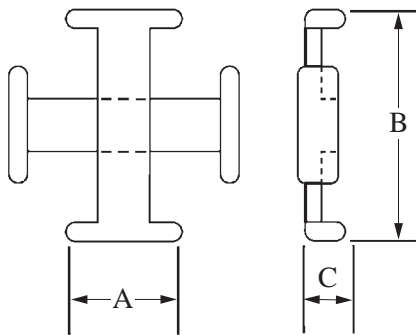
S-515-T
T Connector
(For S-131 Bar)



S-519-1P
End Plug - 1 Prong
(For S-121 Bar)



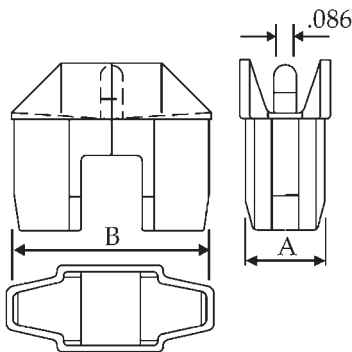
S-519-BB
End Plug - 2 Prongs
(For S-121 Bar)



S-511, S-510, S-532

Internal Cross Connectors for Grille

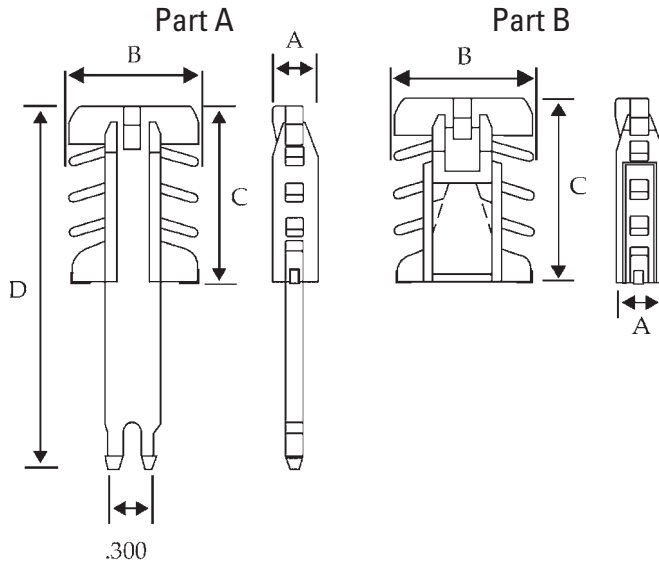
Part Number	Use With	Dimensions (in)		
		A	B	C
S-511	S-121	.175"	.610"	.140"
S-510	S-120	.435"	.905"	.140"
S-532	S-134	.740"	1.445"	.207"



S-522, S-513, S-540

Saddle Clips for Contour Grille

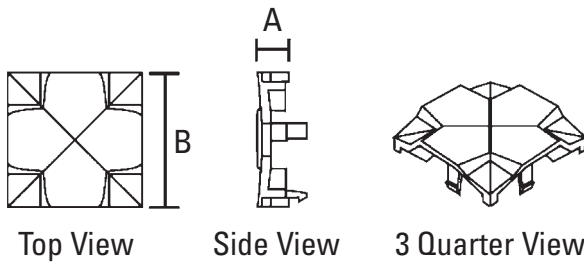
Part Number	Use With	Dimensions (in)	
		A	B
S-522	S-133	.178"	.674"
S-513	S-122	.280"	.674"
S-540	S-136	.275"	.940"



S-539-AB, S-512-AB, S-536-AB

Fishmouth Connector Sets

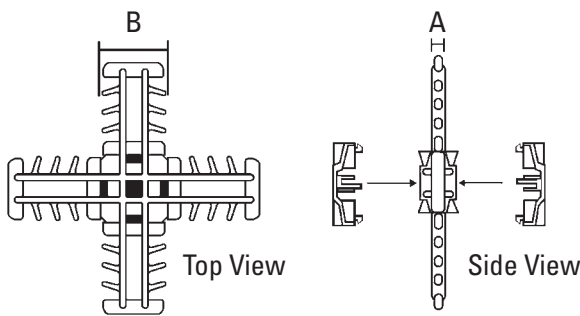
Part Number	Use With	Dimensions (in)			
		A	B	C	D
S-539-AB	S-133	.183"	.687"	1.000"	2.306"
S-512-AB	S-122	.283"	.686"	1.000"	2.306"
S-536-AB	S-136	.275"	.954"	1.250"	2.835"



S-520, S-525, S-534

Cap-Over Connectors for Contour Grille

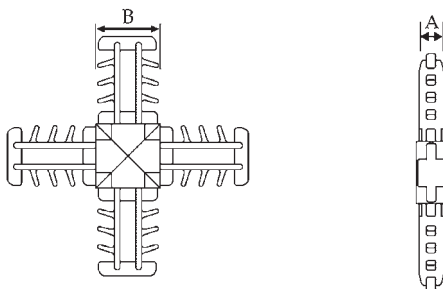
Part Number	Use With	Dimensions (in)	
		A	B
S-520	S-133	.183"	.687"
S-525	S-122	.283"	.687"
S-534	S-136	.275"	.962"



S-521, S-526, S-535

Base Connectors for Contour Grille

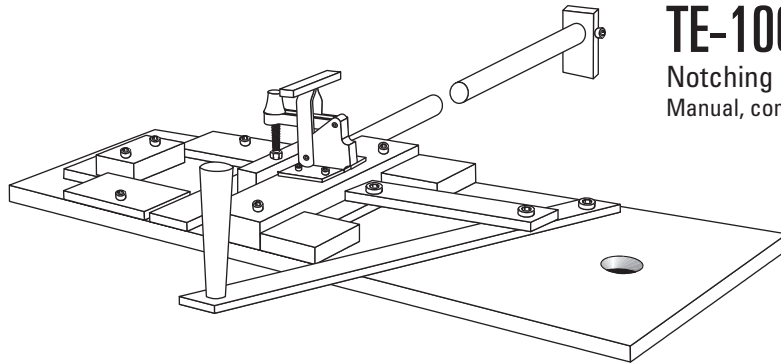
Part Number	Use With	Dimensions (in)	
		A	B
S-521	S-133	.147"	.850"
S-526	S-122	.197"	.850"
S-535	S-136	.197"	1.114"



S-541, S-514, S-537

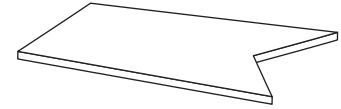
External Cross Connectors for Contour Grille

Part Number	Use With	Dimensions (in)	
		A	B
S-541	S-133	.183"	.686"
S-514	S-122	.283"	.686"
S-537	S-136	.275"	.970"

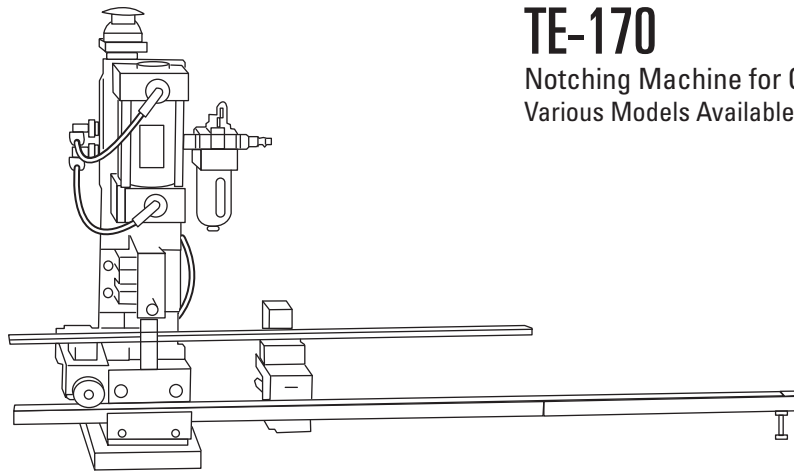


TE-100

Notching Machine for Lance Latches
Manual, complete with bar stop



Replacement
Notching Blades
TE-110

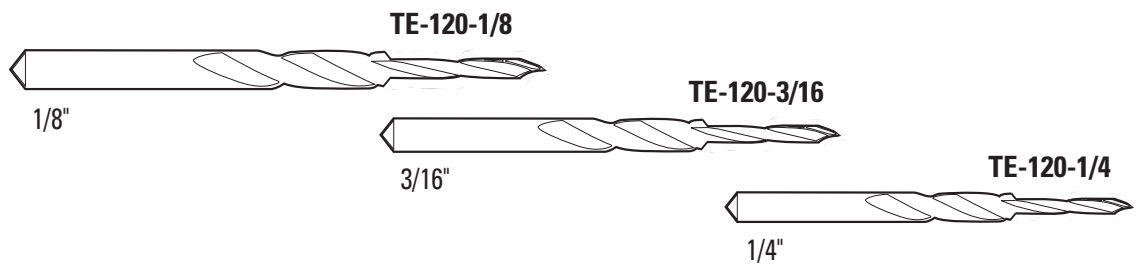


TE-170

Notching Machine for Grille Bar
Various Models Available

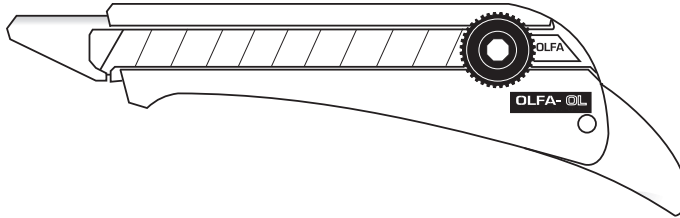
TE-120

Step Drill Bits



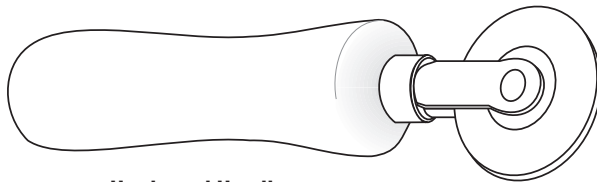
TE-140

Utility Screen Knife



TE-150

Replacement blades (50 per pack)



- Hardwood Handle
- Ball Bearing Wheels

Screening Tools



Step Roller
TE-135-ST



Concave Roller
TE-130-CV Steel
TE-135-CV Nylon



Convex Roller
TE-130-CX Steel
TE-135-CX Nylon

TE-160

Warning Labels - 4 1/2" x 1/2"
Rolls of 1000 pcs (Bilingual)

! WARNING

Screen will not stop child from falling out window. Keep child away from open window.
Le moustiquaire ne protégera pas un enfant d'une chute. Ne jamais laisser un enfant sans surveillance près d'une fenêtre ouverte.



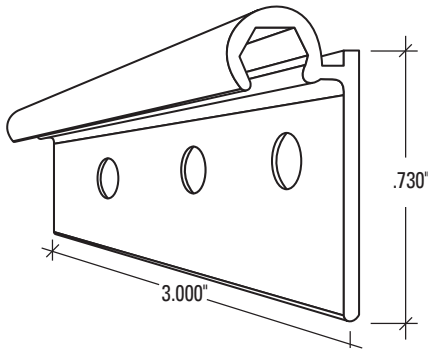
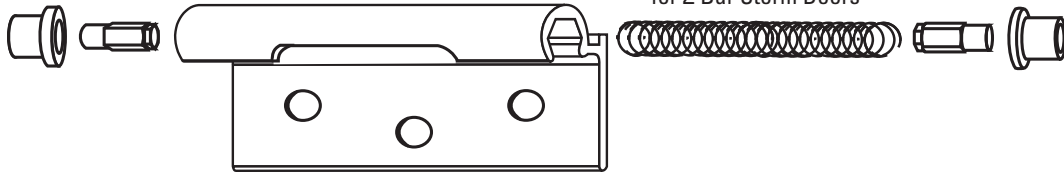
TE-161

Press Labels for S-135 Screens - 3/4" x 7/16"
Rolls of 1000 pcs

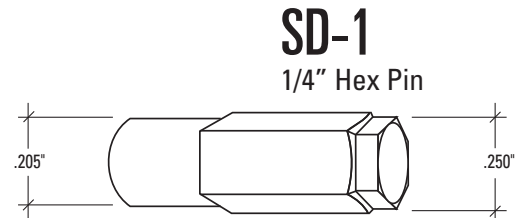
NOTE: • To ensure proper fit send sample of Z bar and door rail
 • Indicate if loading notch required and number of holes
 • Detailed Profile drawings available upon request

Hinge Set

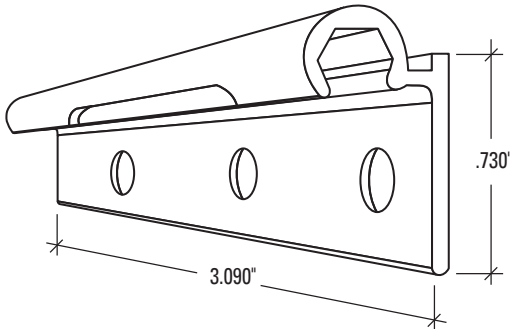
Extruded Hex Drive
 Leaf Hinge sets
 for Z Bar Storm Doors



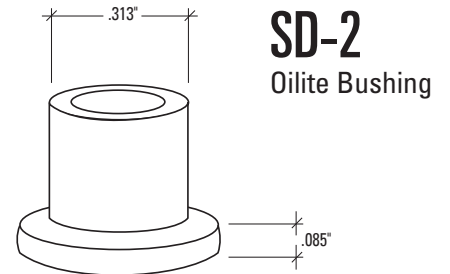
S-156
 Unnotched
 Colours: Mill, White



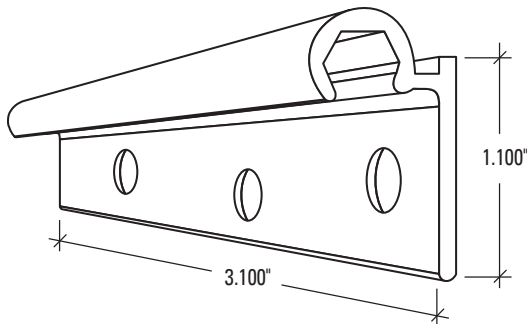
SD-1
 1/4" Hex Pin



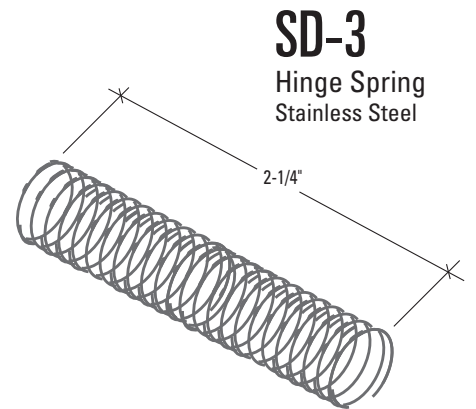
S-160
 Notched
 Colours: Mill, White



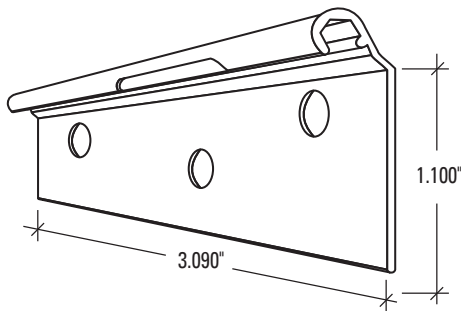
SD-2
 Oilite Bushing



S-162
 Unnotched
 Colours: Mill, White



SD-3
 Hinge Spring
 Stainless Steel



S-317
 Notched
 Colours: Mill, White

* Hinge profiles available in 15' lineals for custom colour painting

Rollformed Products

✓ Standard In-Stock Colours
 N Non-stock (Customer Service to advise leadtime)

Colour	Code	Paint Code	S-120	S-121	S-122	S-124	S-125	S-126	S-128	S-129
#40 Anodized	40	---								
Almond	AL	R31075	✓			✓	✓	✓	N	✓
Ash	ASH	R31395	✓			✓	✓	✓	N	N
Ash/White	ASH/W	N2801/W2898	✓							
Black	BLK	8154S99				✓	N			
Blonde	BL	R42555				N	✓	✓		
Brass **	BR	---	N	N						
Chestnut Bronze/White	CBRO/W	N3227/W2898	✓							
Chocolate Brown	CHB	R72005	✓			✓	✓	✓	N	✓
Chocolate Brown/White	CHB/W	N2651/W2898	✓							
Cocoa/White	CC/W	N3124/W2898	N							
Commercial Brown	COB	R70085	✓			✓	✓	✓	N	✓
Coppertone	COP	R52072				N	N	N		
Cream	CR	R32705				✓	✓	✓		
Cream/White	CR/W	Y1270/72898	✓							
Desert Tan	DST	R34025	✓			✓	✓	✓	✓	N
Desert Tan/White	DST/W	N3139/W2898	✓							
French Vanilla/White	FV/W	W3528/W2898	✓							
Gold	GLD	3333S99				N	✓			
Grey/White	GR/W	C1581/W2898	✓							
Hickory	HI	R31155	N			✓	✓	✓		
Hickory/White	HI/W	N2649/W2898	✓							
Hunter Green **	HG	R61425				N	N	✓		
Mill	MI	R11111				✓	✓	✓		
Mocha Tan	MT	3348L99				✓	N			
Mocha Tan/White	MT/W	N3140/W2898	✓							
New Comm. Brown	NCOB	R71155				N	✓	✓		
NS Sable/White	NSS/W	C1799/W2898	✓							
Off White	OW	R16875	✓	✓	✓	✓	✓	✓	✓	✓
Pewter	PWT	0103S99		✓						
Primed	PR	R21463				N	N	✓		
Redwood **	RW	R51445				N	N	✓		
Sand/White	SA/W	N2650/W2898	✓							
Sandlewood/White	SDWD/W	N2862/W2898	✓							
Sandlewood	SA	R30015	✓			✓	✓	✓	✓	N
Stainable Pine	STN	---						✓		
Terratone	TE	R75095				N	N	N		
United Cashmere	UWCASH	R31425				N	✓			
United Grey	UWGREY	R21285				N	✓			
United Grey/White	UWGR/W	C1869/W2898	✓							
United Sandlewood	UWSDLWD	R31455				N	✓			
United Sandlewood/White	UWSD/W	N3226/W2898	✓							
Wood White	WW	R15655				N	N	N		
White	W	R12025	✓			✓	✓	✓	✓	✓

** Premium Colour = Premium Pricing Applies

Rollformed Products

✓ Standard In-Stock Colours
 N Non-stock (Customer Service to advise leadtime)

Colour	Code	Paint Code	S-129S	S-130	S-131	S-133	S-134	S-135	S-136
#40 Anodized	40	---							
Almond	AL	R31075	N	✓					
Ash	ASH	R31395	N	N					
Ash/White	ASH/W	N2801/W2898				✓			
Black	BLK	8154S99							
Blonde	BL	R42555							
Brass **	BR	---			N				
Chestnut Bronze/White	CBRO/W	N3227/W2898							
Chocolate Brown	CHB	R72005		✓					
Chocolate Brown/White	CHB/W	N2651/W2898				✓			
Cocoa/White	CC/W	N3124/W2898							
Commercial Brown	COB	R70085	✓	N					
Coppertone	COP	R52072							
Cream	CR	R32705	N						
Cream/White	CR/W	Y1270/72898							
Desert Tan	DST	R34025	✓	✓					
Desert Tan/White	DST/W	N3139/W2898				✓			
French Vanilla/White	FV/W	W3528/W2898							
Gold	GLD	3333S99							
Grey/White	GR/W	C1581/W2898							
Hickory	HI	R31155	N						
Hickory/White	HI/W	N2649/W2898							
Hunter Green **	HG	R61425							
Mill	MI	R11111							
Mocha Tan	MT	3348L99							
Mocha Tan/White	MT/W	N3140/W2898				✓			
New Comm. Brown	NCOB	R71155							
NS Sable/White	NSS/W	C1799/W2898							
Off White	OW	R16875	✓	✓		✓	N	✓	N
Pewter	PWT	0103S99			✓				
Primed	PR	R21463							
Redwood **	RW	R51445							
Sand/White	SA/W	N2650/W2898							
Sandlewood/White	SDWD/W	N2862/W2898							
Sandlewood	SA	R30015	N	N					
Stainable Pine	STN	---							
Terratone	TE	R75095							
United Cashmere	UWCASH	R31425							
United Grey	UWGREY	R21285							
United Grey/White	UWGR/W	C1869/W2898							
United Sandlewood	UWSDLWD	R31455							
United Sandlewood/White	UWSD/W	N3226/W2898							
Wood White	WW	R15655							
White	W	R12025	✓	✓	✓			✓	

** Premium Colour = Premium Pricing Applies

Extruded Products

Colour	Code	Paint Code	Patio Door Frame			Window Screen Frame				
			SP5	SP6	SP7	S-100	S-102	S-113	S-119	S-132
#40 Anodized	40	---					✓	✓		
Almond/Tan	AL	K30837	✓	✓						
Ash **	ASH	K72277	✓							
Black **	BLK	K90421		✓						
Bone White **	OW	K11625	✓	✓						
Champagne	CHM	K70632	✓	✓						
Chestnut Bronze **	CBRO	K71740	✓							
Chocolate Brown	CHB	K72204	✓	✓		✓				
Clear Anodized **	CA	CA	✓	✓			✓	✓	✓	
Cocoa Brown**	CCB	K72315	✓							
Commercial Brown	COB	K70634	✓	✓		✓	✓	✓	✓	
Cream	CR	K31029	✓	✓						
Desert Tan **	TA	K31188	✓		✓					
French Vanilla **	FV	K10907	✓							
Hickory **	HI	K21180	✓	✓						
Light Bronze	LB	UC97838								✓
MDL Cream**	MDLCR	K30289	✓							
MDL Hickory **	MDLHI	K31229	✓							
MDL Sand**	MDLSA	K31092	✓							
Mill	M	R11111	✓	✓		✓	✓	✓	✓	
NS Sable**	NSSB	UC108399		✓						
NS Sandlewood **	NSSA	K30804		✓						
Sable **	SB	UC103951	✓							
Sandlewood	SA	K30618	✓	✓						
Terratone**	TE	K72191	✓	✓						
United Grey **	UWGR	K21531	✓							
United Sandlewood **	UWSA	K31055	✓							
White	W	K1285	✓	✓	✓	✓	✓	✓	✓	✓

** Premium Colour = Premium Pricing Applies